

TMPM46BF10FG Evaluation Board Schematics

01. THIS SHEET
02. MCU TMPM46BF10FG (Cortex-M4F)
03. PIN HEADER / Arduino CN
04. DAP TMPM366FDXBG / SLC NAND
05. USER IO

TMPM46BF10FG Port Assign

```

PA0-7...SWD_IF/GPIO
PA7 ...ARDUINO_PWM (IO13)

PB0-1...SWD_IF/GPIO
PB2-7...NAND_IF
PB6 ...BOOT

PC0-3...ARDUINO_IO (IO2, 4, 7, 8)
PC4-5...GPIO

PD0-3...ARDUINO_SPI (IO10, 12, 11, 13)
PD4 ...GPIO

PE0 ...GPIO
PE1-2...UART (USB)
PE3-4...ARDUINO_PWM (IO3, 5)
PE5-6...UART (USB)
PE7 ...GPIO

PF0-3...PushSW (4bit)
PF4-7...LED (4bit)

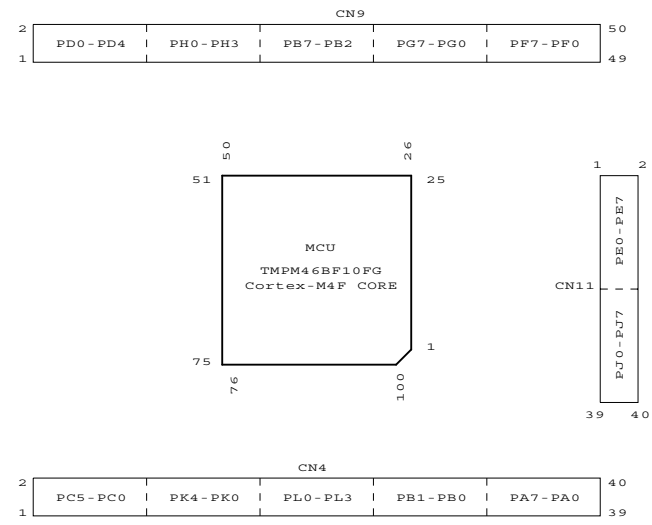
PG0-7...NAND_IF/GPIO

PJ0-1...AIN (VOLUME)
PJ2-7...ARDUINO_AD

PK0 ...GPIO
PK1 ...ARDUINO_PWM (IO11)
PK2-3...I2C/ARDUINO_I2C
PK4 ...GPIO

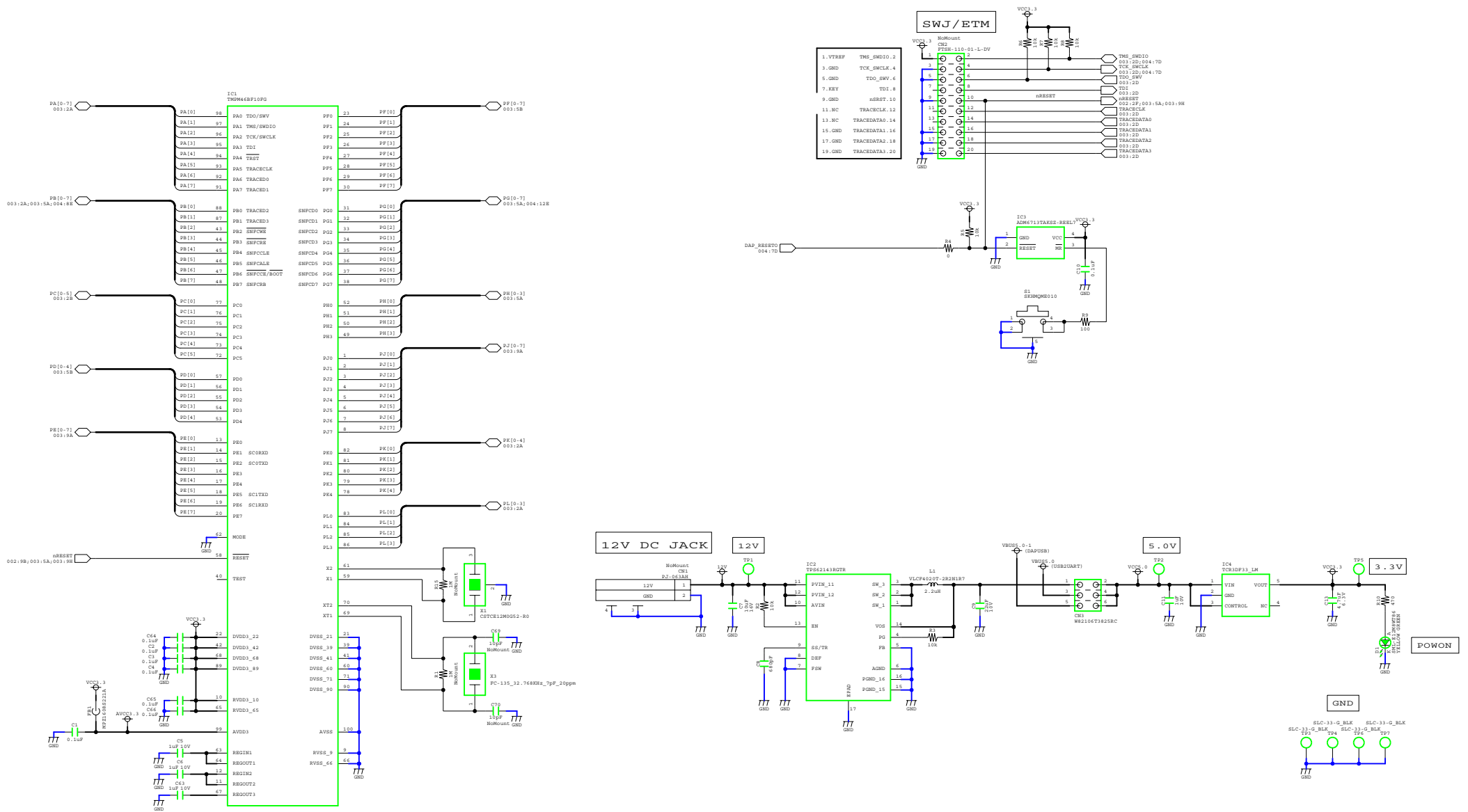
PL0 ...GPIO
PL1-2...UART (DSUB) / ARDUINO_UART (IO0, 1)
PL3 ...GPIO

PH0-1...ARDUINO_PWM (IO9, 6)
PH2-3...DipSW (2bit)
    
```



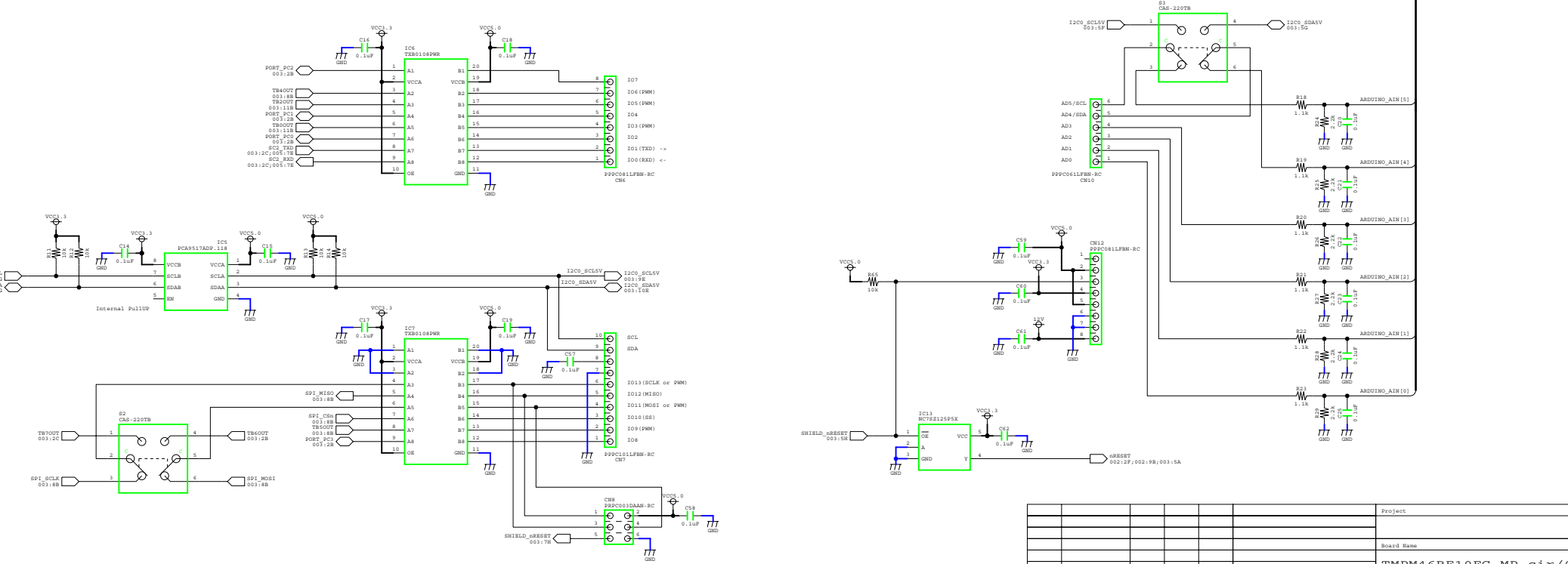
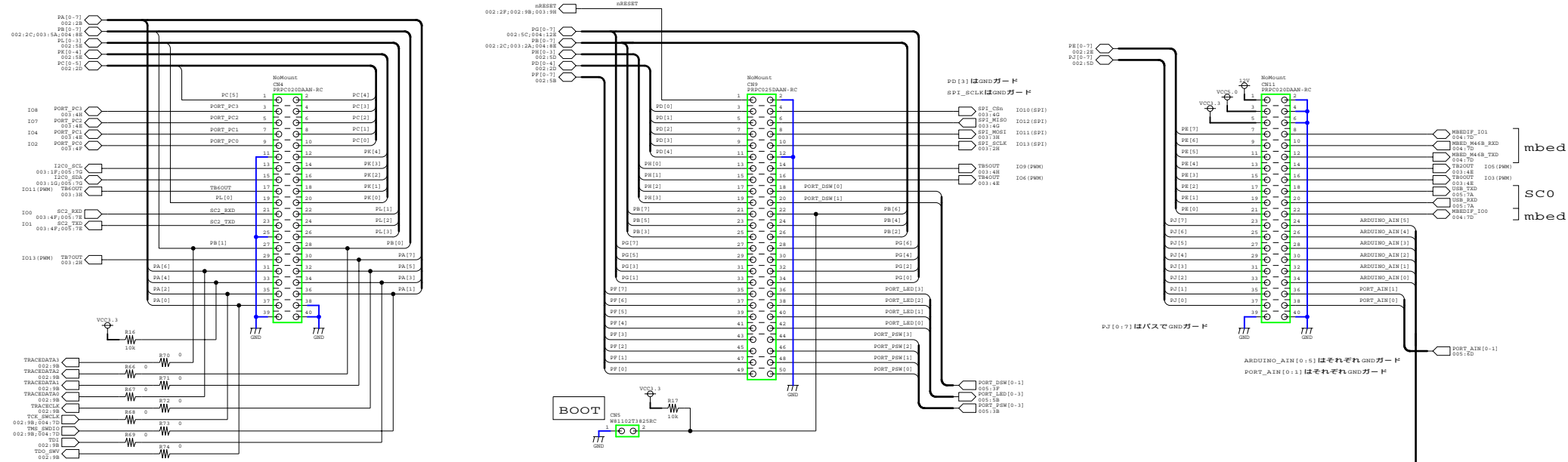
						Project
						Board Name
						TMPM46BF10FG_MP.cir/0
Rev	Date	作成	確認	承認	変更内容	Page
	16/02/25 18:56:38	S.Yanaguchi				Page 1 of 5

02. MCU TMPM46BF10FG (Cortex-M4F) / SWJ / POWER



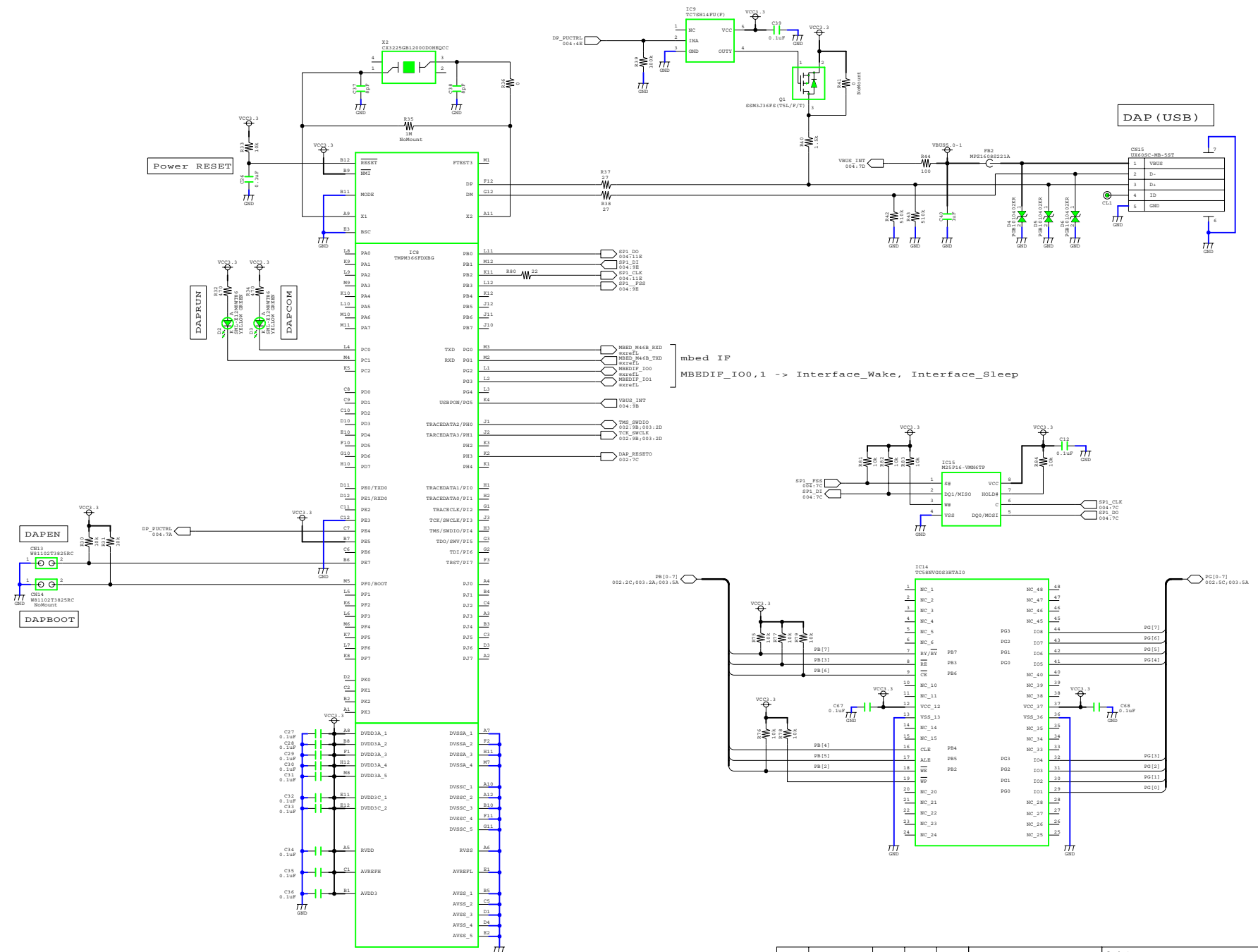
						Project
						Board Name
						TMPM46BF10FG_MP.cir / 0
Rev	Date	作成	確認	承認	変更内容	Page
	16/02/25					Page 2 of 5
	16/02/18	S.Yanaguchi				

03. PIN HEADER / Arduino CN



					Project
					Board Name
					TMPM46BF10FG_MP.cir / 0
Rev	Date	作成	確認	承認	変更内容
	16/02/25				
	18/05/03				
		S.Yanaguchi			
					Page
					Page 3 of 5

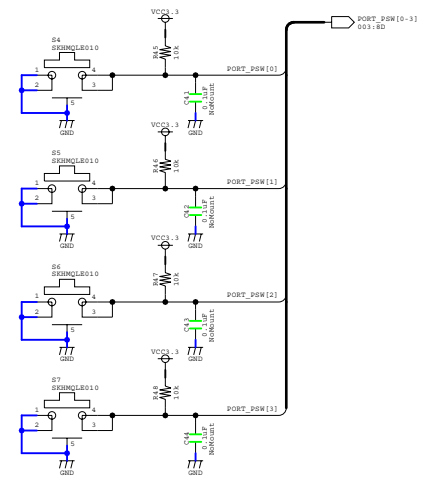
04. DAP TMPM366FDXBG / SLC NAND



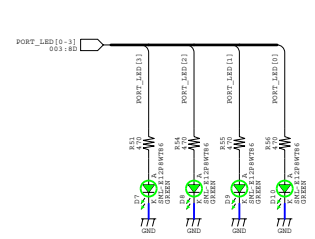
						Project
						Board Name
						TMPM46BF10FG_MP.cir / 0
Rev	Date	作成	確認	承認	変更内容	Page
	16/02/25					Page 4 of 5
	18/06/03	S.Yanaguchi				

05. USER IO

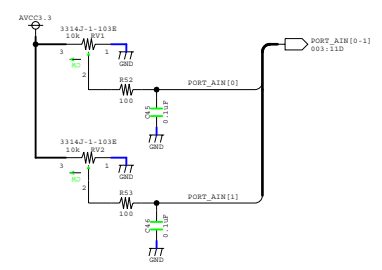
PORT PushSW



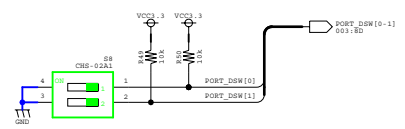
PORT LED



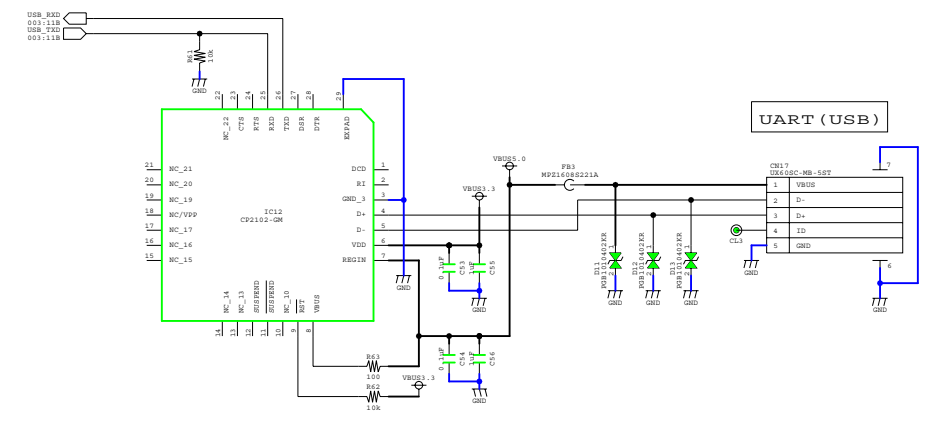
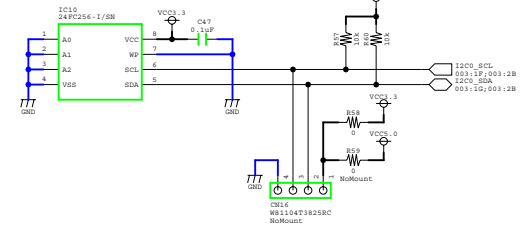
AIN



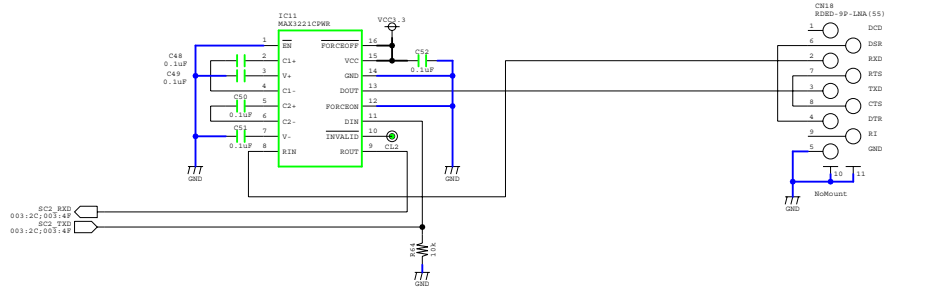
PORT DipSW



EEPROM



UART (D-Sub)



						Project
						Board Name
						TMPM46BF10FG_MP.ci
Rev	Date	作成	確認	承認	変更内容	Page
	16/02/25	S.Yanaguchi				Page 5 of 5