

TMPM3V6FWFG Evaluation Board

01. THIS SHEET
02. MCU TMPM3V6FWFG (Cortex-M3)
03. PIN HEADER / Arduino CN
04. DAP TMPM366FDXBG
05. USER IO

TMPM3V6FWFG Port Assign

```

PA0 ...GPIO
PA1 ...ARDUINO_PWM(IO6)
PA2 ...GPIO
PA3 ...REMOCON
PA4 ...GPIO
PA5-6...UART(mbed_IF)
PA7 ...GPIO

PB0-7...SWD_IF/JTAG/GPIO

PC0-3...I2C/ARDUINO_I2C/ARDUINO_SPI(IO11,12,13,10)
PC4-7...ARDUINO_IOL(IO2,4,7,8)

PD0 ...GPIO
PD1 ...ARDUINO_PWM(IO5)
PD2-4...GPIO
PD5-6...ARDUINO_UART(IO1,0)

PE0-1...UART(USB)
PE2 ...GPIO
PE3 ...ARDUINO_PWM(IO13)
PE4 ...GPIO
PE5 ...ARDUINO_PWM(IO11)
PE6 ...GPIO
PE7 ...ARDUINO_PWM(IO9)

PF0 ...GPIO(mbed_IF)
PF1 ...ARDUINO_PWM(IO3)
PF2 ...GPIO(mbed_IF)
PF3-4...GPIO

PG0-3...PushSW(4bit)
PG4-7...LED(4bit)

PH0-1...AIN(VOLUME)
PH2-7...ARDUINO_AD

PIO-1...GPIO

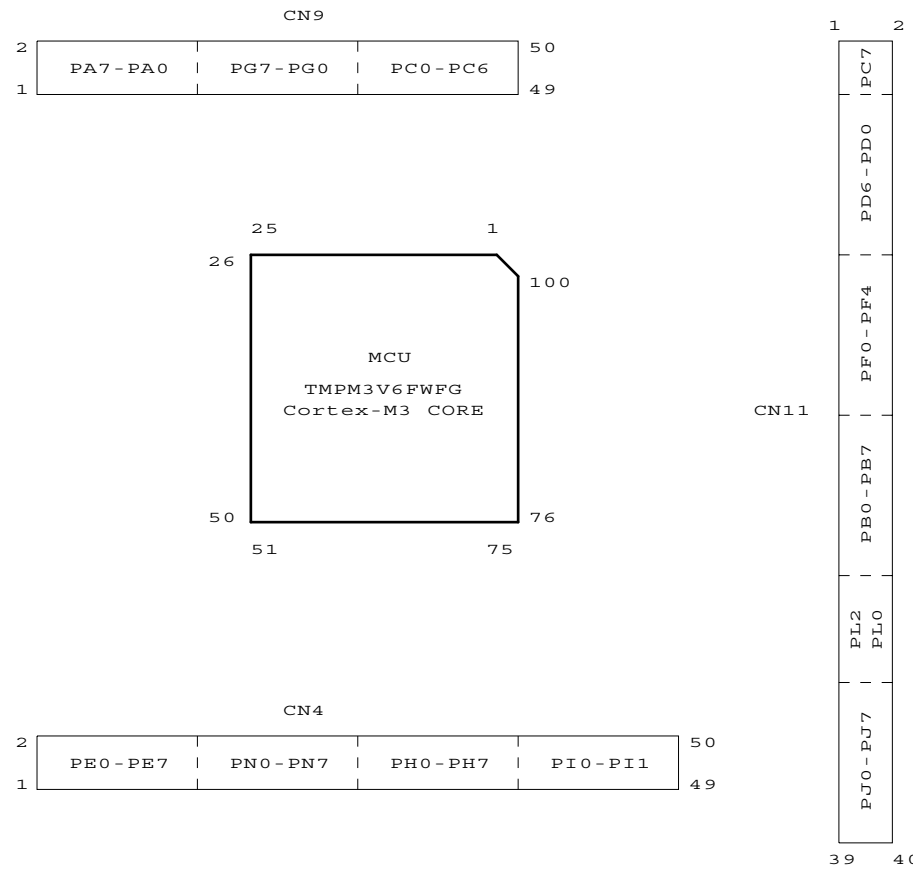
PJ0-7...GPIO

PL0 ...BOOT
PL2 ...GPIO

PM0-1...XTAL(HI)

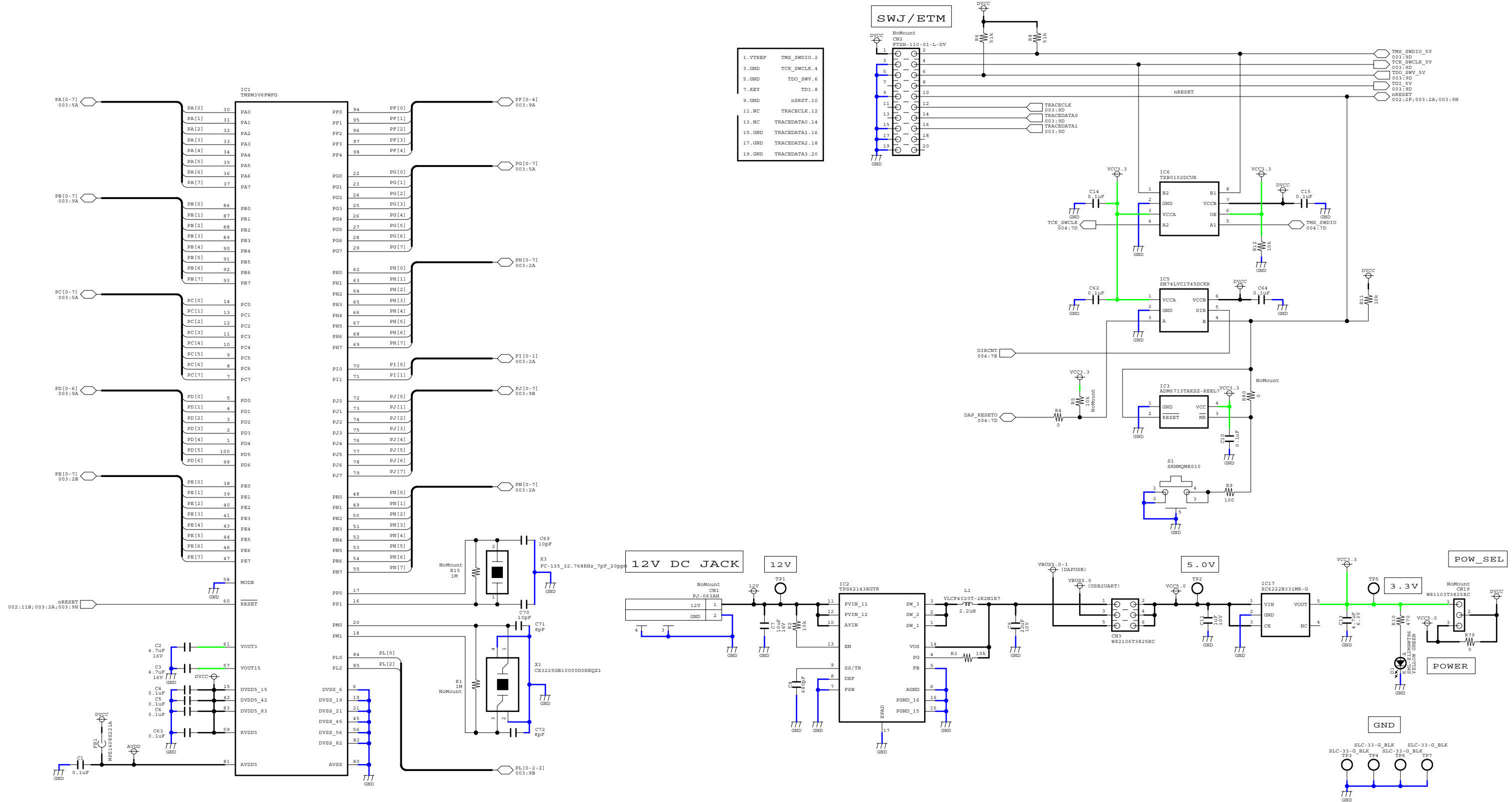
PN0-1...DIPSW(2bit)
PN2-7...GPIO

PP0-1...XTAL(LO)
    
```



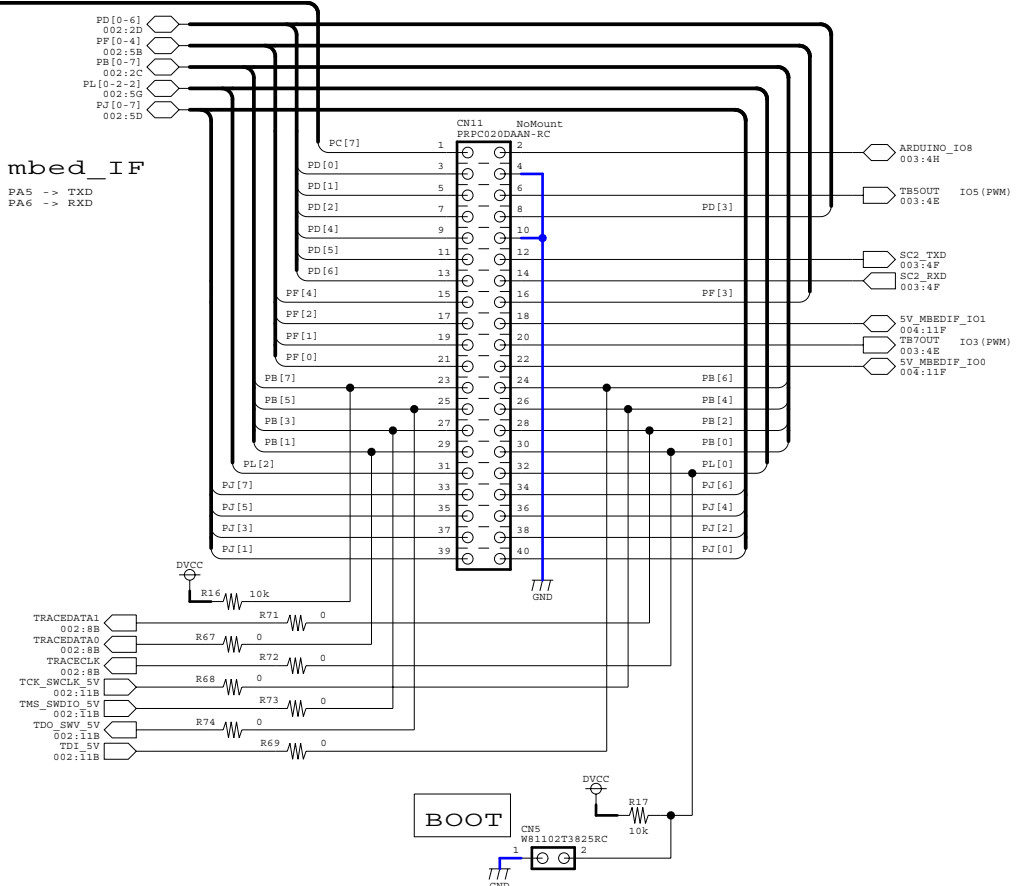
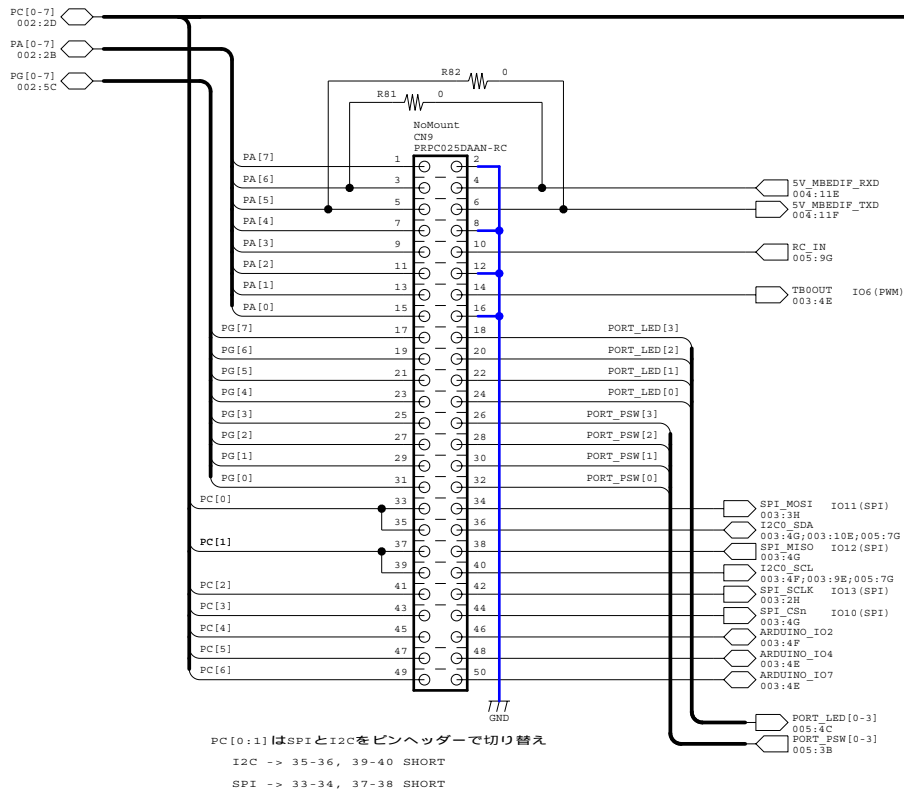
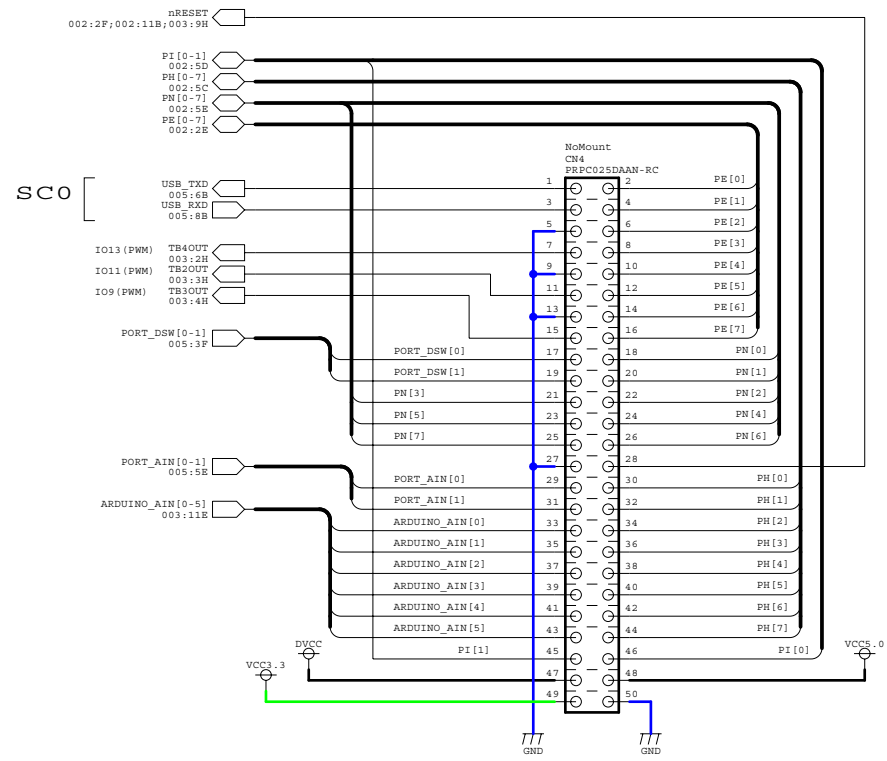
							Project
							Board Name
							TMPM3V6FWFG_rev02.cir/
Rev	Date	作成	確認	承認	変更内容		Page
	19/03/05 11:06:33 yamada						Page 1 of 5

02. MCU TMPM3V6FWFG (Cortex-M3) / SWJ / POWER

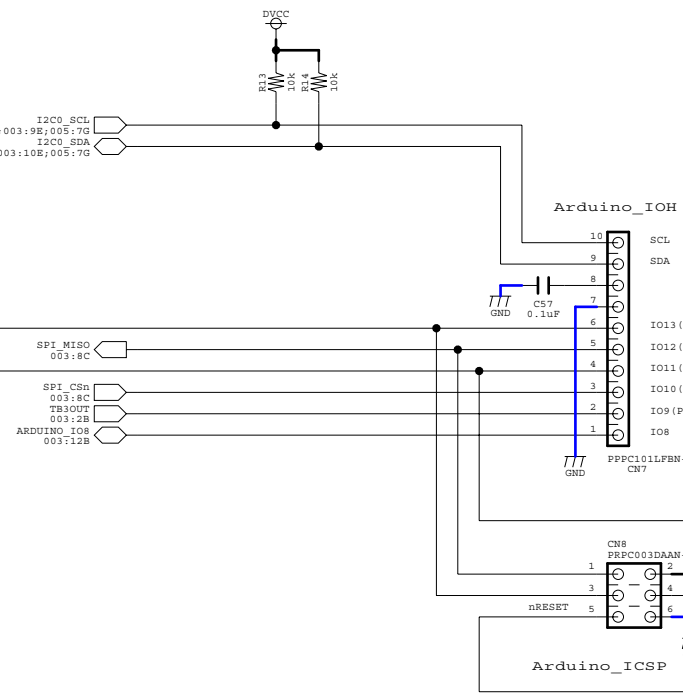
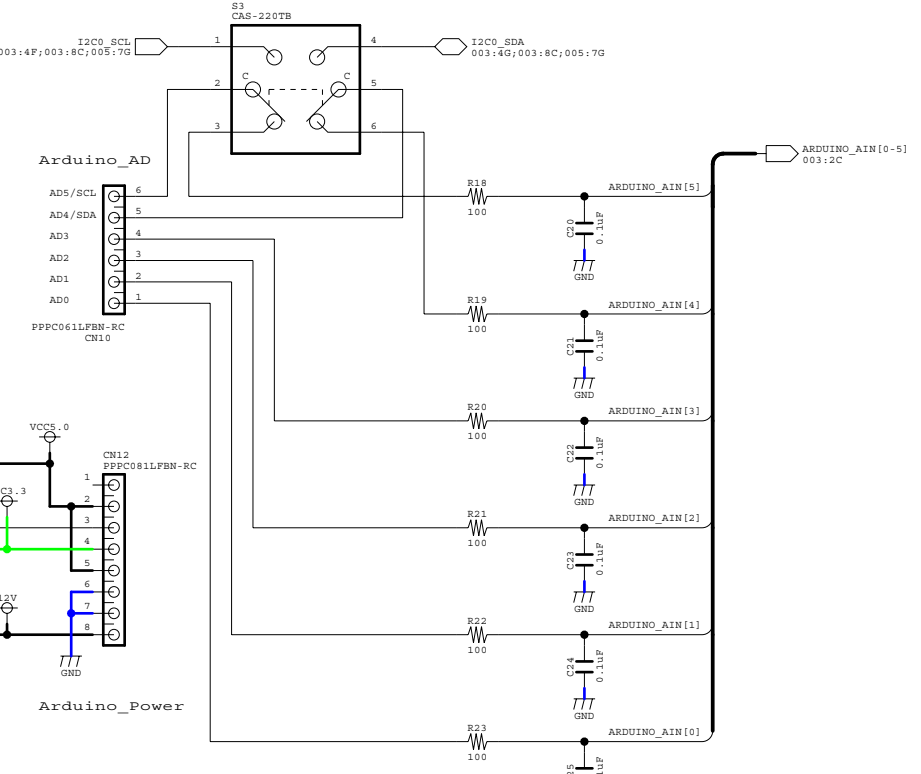
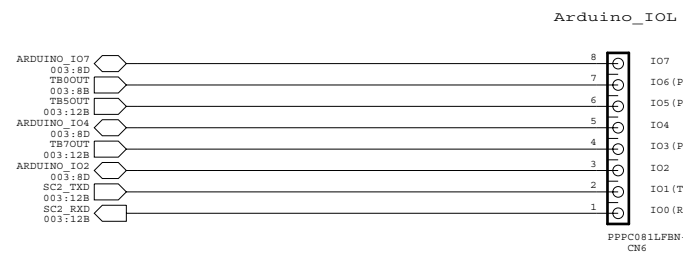


						Project
						Board Name
Rev	Date	作成	確認	承認	変更内容	TMPM3V6FWFG_rev02.cir /
	19/03/05 11:06:33 yamada					Page Page 2 of 5

03. PIN HEADER / Arduino CN

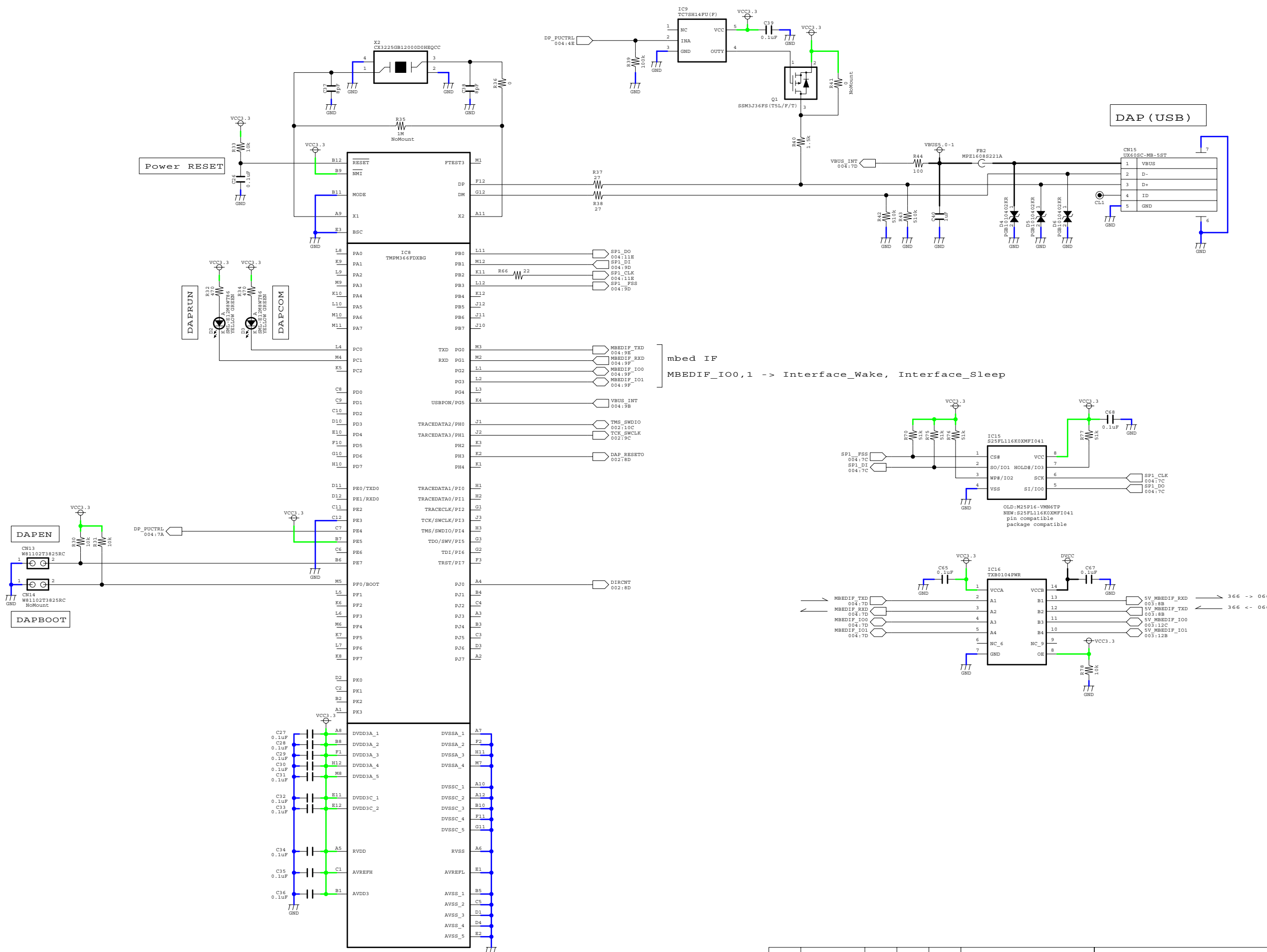


PC[0:1]はSPIとI2Cをピンヘッダーで切り替え
 I2C -> 35-36, 39-40 SHORT
 SPI -> 33-34, 37-38 SHORT



Project						
Board Name						
Rev	Date	作成	確認	承認	変更内容	TMPM3V6FWFG_rev02.cir
	19/03/05 11:06:34 yamada					
Page						
Page 3 of 5						

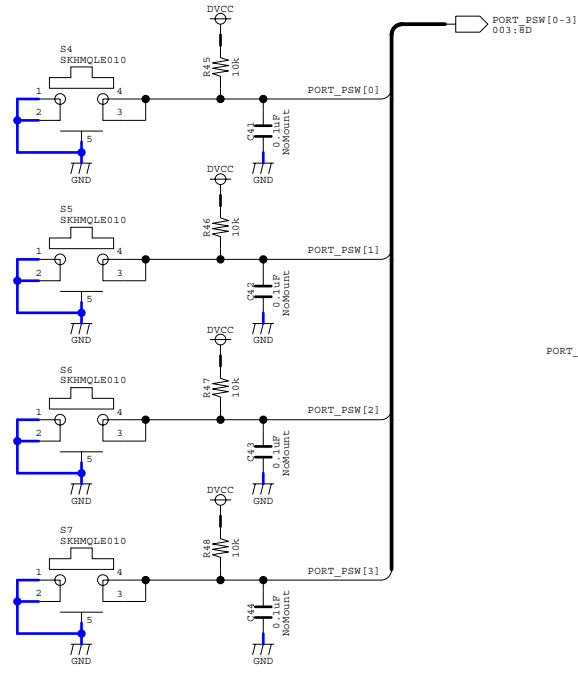
04. DAP TMPM366FDXBG / SLC NAND



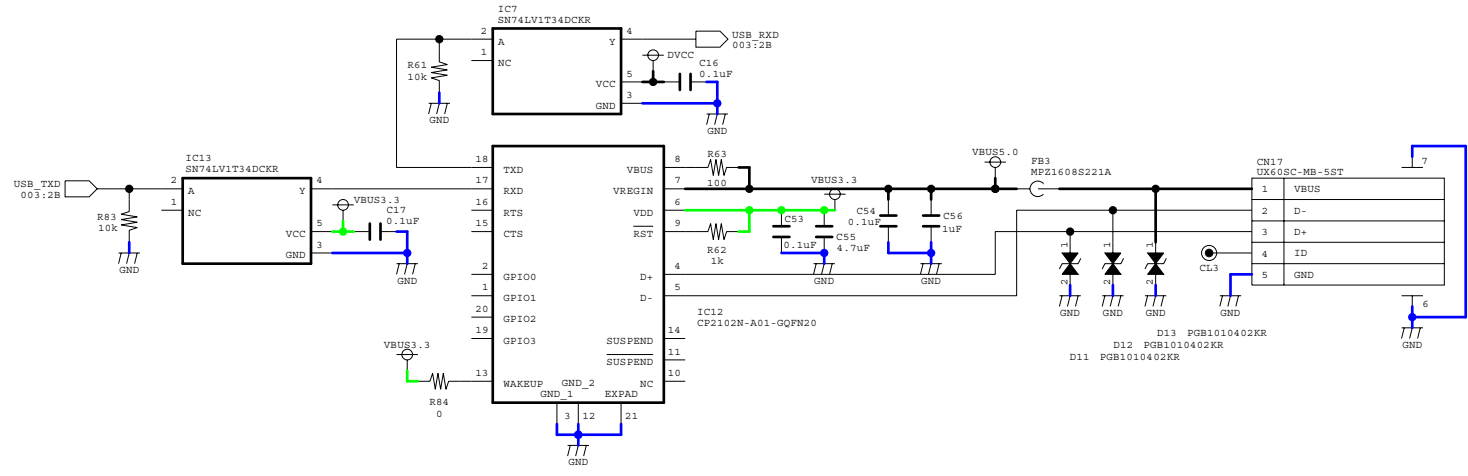
						Project
						Board Name
						TMPM3V6FWFG_rev02.cir
Rev	Date	作成	確認	承認	変更内容	
	19/03/05 11:06:34	yamada				Page Page 4 of 5

05. USER IO

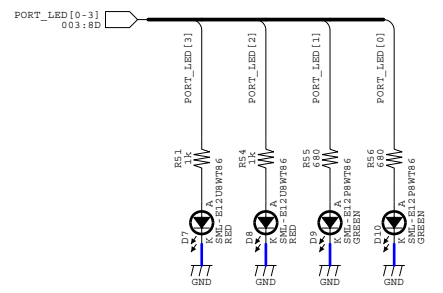
PORT PushSW



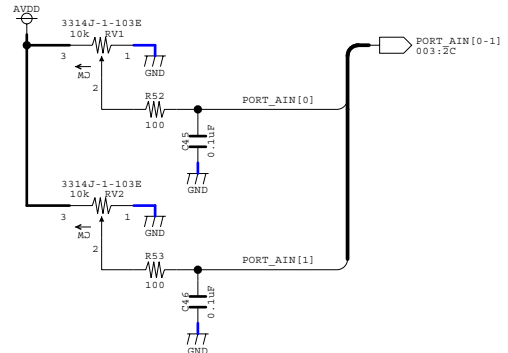
UART (USB)



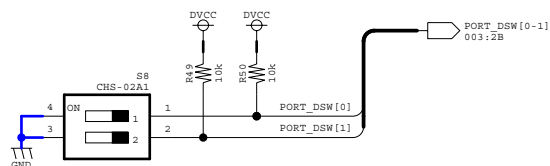
PORT LED



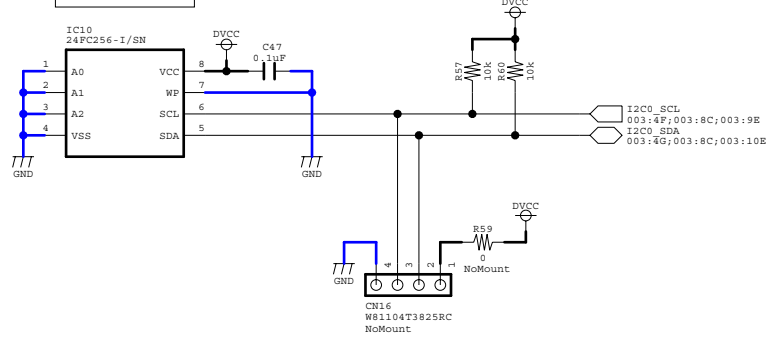
AIN



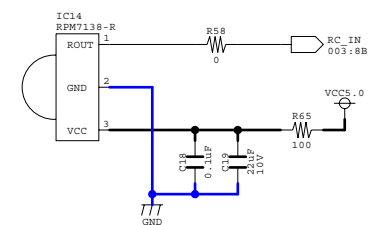
PORT DipSW



EEPROM



リモコン受光部



						Project
						Board Name
						TMPM3V6FWFG_rev02.c
Rev	Date	作成	確認	承認	変更内容	
	19/03/05 11:06:34 yamada					Page Page 5 of 5