

# TMPM3HQFDAFG Evaluation Board Schematics

01. THIS SHEET
02. MCU TMPM3HQFDAFG (Cortex-M3)
03. PIN HEADER / Arduino CN
04. DAP TMPM366FDXBG
05. USER IO

## TMPM3HQFDAFG Port Assign

```

PA0 ...ARDUINO_IO10(PWM)
PA1 ...USB to UART(TXD)
PA2 ...USB to UART(RXD)
PA3 ...GPIO
PA4 ...I2C(SCL)
PA5 ...I2C(SDA)
PA6-7...GPIO

PB0 ...BOOT/GPIO
PB1 ...REMOCOM
PB2 ...SENSOR(SPI_SCK)
PB3 ...SENSOR(SPI_DO)
PB4 ...SENSOR(SPI_DI)
PB5 ...SENSOR(SPI_CS)
PB6-7...GPIO

PC0 ...ARDUINO_I2C(SCL)/DCOM3
PC1 ...ARDUINO_I2C(SDA)/DCOM2
PC2 ...STOP2/DCOM1
PC3 ...ARDUINO_IO4/DCOM0
PC4 ...ARDUINO_IO2/SEG39
PC5 ...GPIO/SEG38
PC6 ...GPIO/SEG37

PD0-3...GPIO
PD4-5...VOLUME
PE0 ...NTC THERMISTOR
PE1-6...GPIO
PF0-1...GPIO
PF2-7...ARDUINO_AIN

PG0-1...DA
PG2 ...ARDUINO_IO9(PWM)
PG3-7...GPIO

PH0-3...XTAL
PH4 ...nRESET
PH5-7...GPIO

PJ0 ...ARDUINO_IO5(PWM)/SEG22
PJ1 ...mbed UART(TXD)/SEG21
PJ2 ...mbed UART(RXD)/SEG20
PJ3 ...GPIO/SEG19
PJ4 ...GPIO/SEG18
PJ5 ...GPIO/SEG17

PK0 ...GPIO/SEG16
PK1 ...mbed IO/SEG15
PK2 ...ARDUINO_IO3(PWM)/SEG14
PK3 ...mbed IO/SEG13
PK4 ...LED/SEG12
PK5 ...LED/SEG11
PK6 ...LED/SEG10
PK7 ...LED/SEG09

PL0-4...SWD_IF/GPIO
PL5-7...GPIO

PM0-4...TRACE/GPIO
PM5 ...GPIO
PM6 ...ARDUINO_IO7
PM7 ...GPIO

PN0 ...ARDUINO_IO6(PWM)/SEG23
PN1 ...GPIO/SEG24
PN2 ...GPIO/SEG25
PN3 ...SENSOR(INT)/SEG26
PN4 ...GPIO/SEG27
PN5 ...GPIO/SEG28

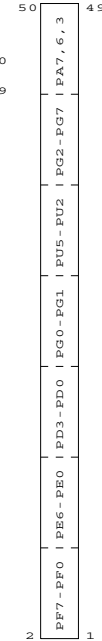
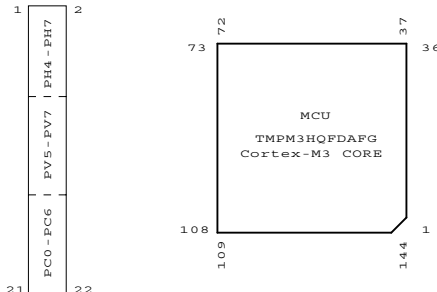
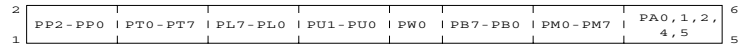
PP0 ...ARDUINO_IO11(PWM)
PP1-2...GPIO
PP3 ...GPIO/SEG08
PP4 ...GPIO/SEG07
PP5 ...GPIO/SEG06
PP6 ...DIPSW/SEG05
PP7 ...DIPSW/SEG04

PR0 ...GPIO/SEG36
PR1 ...GPIO/SEG35
PR2 ...GPIO/SEG34
PR3 ...GPIO/SEG33
PR4 ...GPIO/SEG32
PR5 ...GPIO/SEG31
PR6 ...GPIO/SEG30
PR7 ...GPIO/SEG29

PT0 ...ARDUINO_IO8
PT1 ...ARDUINO_IO10(SPI_CS)
PT2 ...ARDUINO_IO13(SPI_SCK/PWM)
PT3 ...ARDUINO_IO11(SPI_MOSI)
PT4 ...ARDUINO_IO12(SPI_MISO)
PT5-7...GPIO

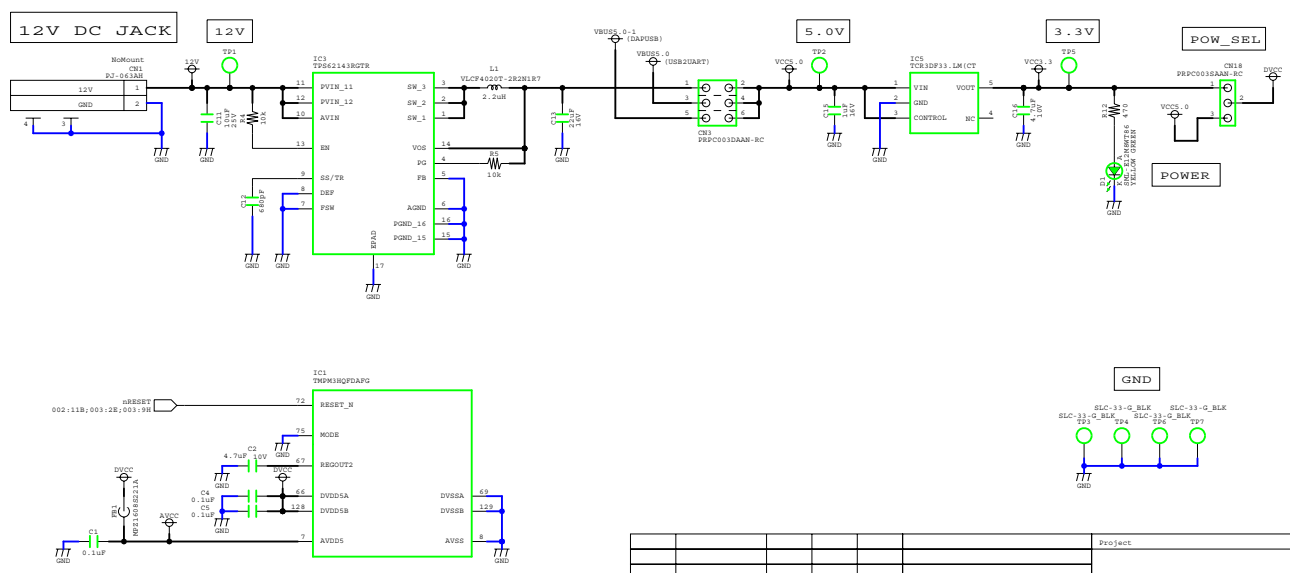
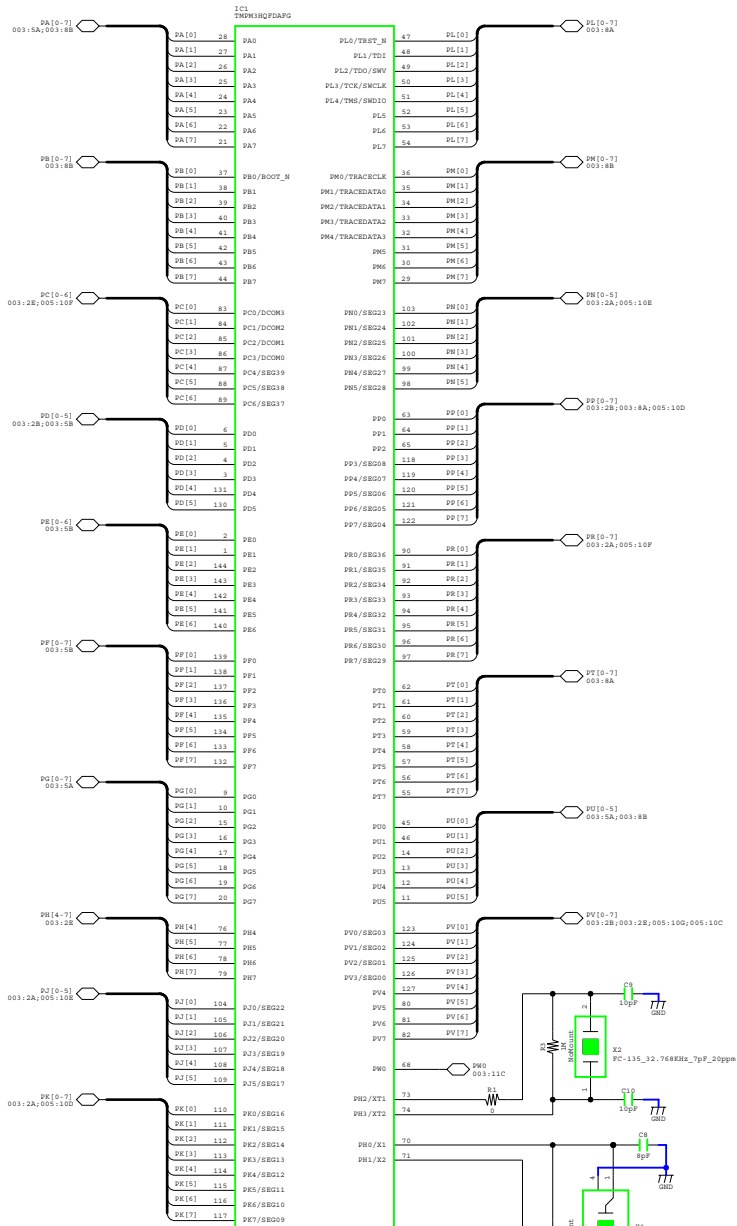
PU0-5...GPIO
PV0 ...PUSHSW/SEG03
PV1 ...PUSHSW/SEG02
PV2 ...PUSHSW/SEG01
PV3 ...PUSHSW/SEG00
PV4-5...GPIO
PV6 ...ARDUINO_IO1(UART_TXD)
PV7 ...ARDUINO_IO0(UART_RXD)

PW0 ...GPIO
  
```



Rev	Date	作成	確認	承認	変更内容	Project
	20/07/29	SBR8Y7PC200-PC				TMPM3HQFDAFG_REV05
						Page 1 of 5

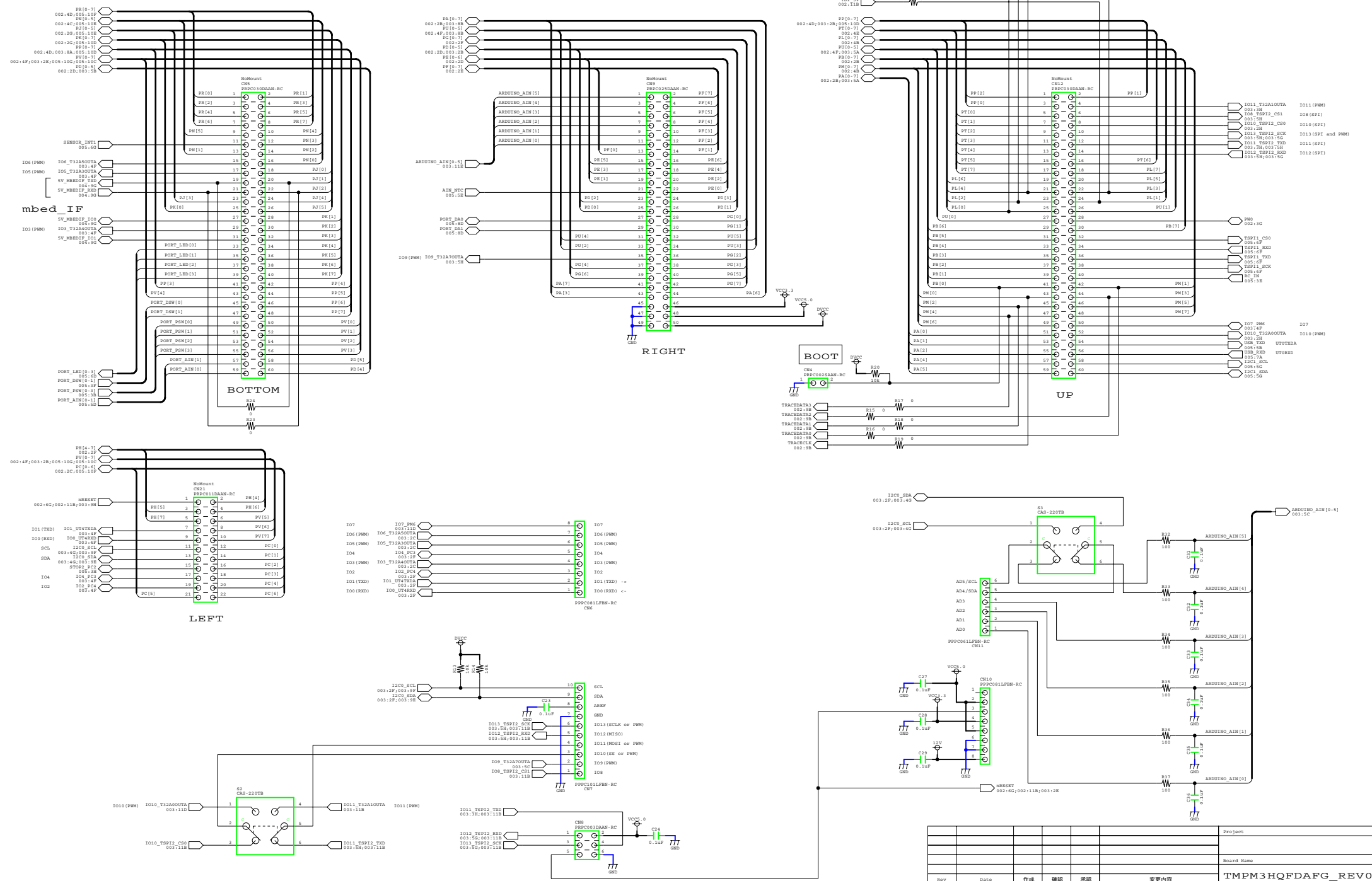
## 02. MCU TPM3HQDFDG (Cortex-M3) / SWJ / POWER



1. VREFP TPM\_SMDIO\_2
2. GND TCK\_SWCLK\_4
3. GND TDO\_SWDV\_6
4. KEY TDI\_8
5. GND nRST\_10
6. NC TRACCLK\_12
7. NC TRACDATA0\_14
8. GND TRACDATA1\_16
9. GND TRACDATA2\_18
10. GND TRACDATA3\_20

Rev	Date	作成	確認	承認	変更内容
1	20/07/29	09/05/23			
2					
3					
4					
5					
6					
7					
8					
9					
10					
11					
12					

# 03. PIN HEADER / Arduino CN

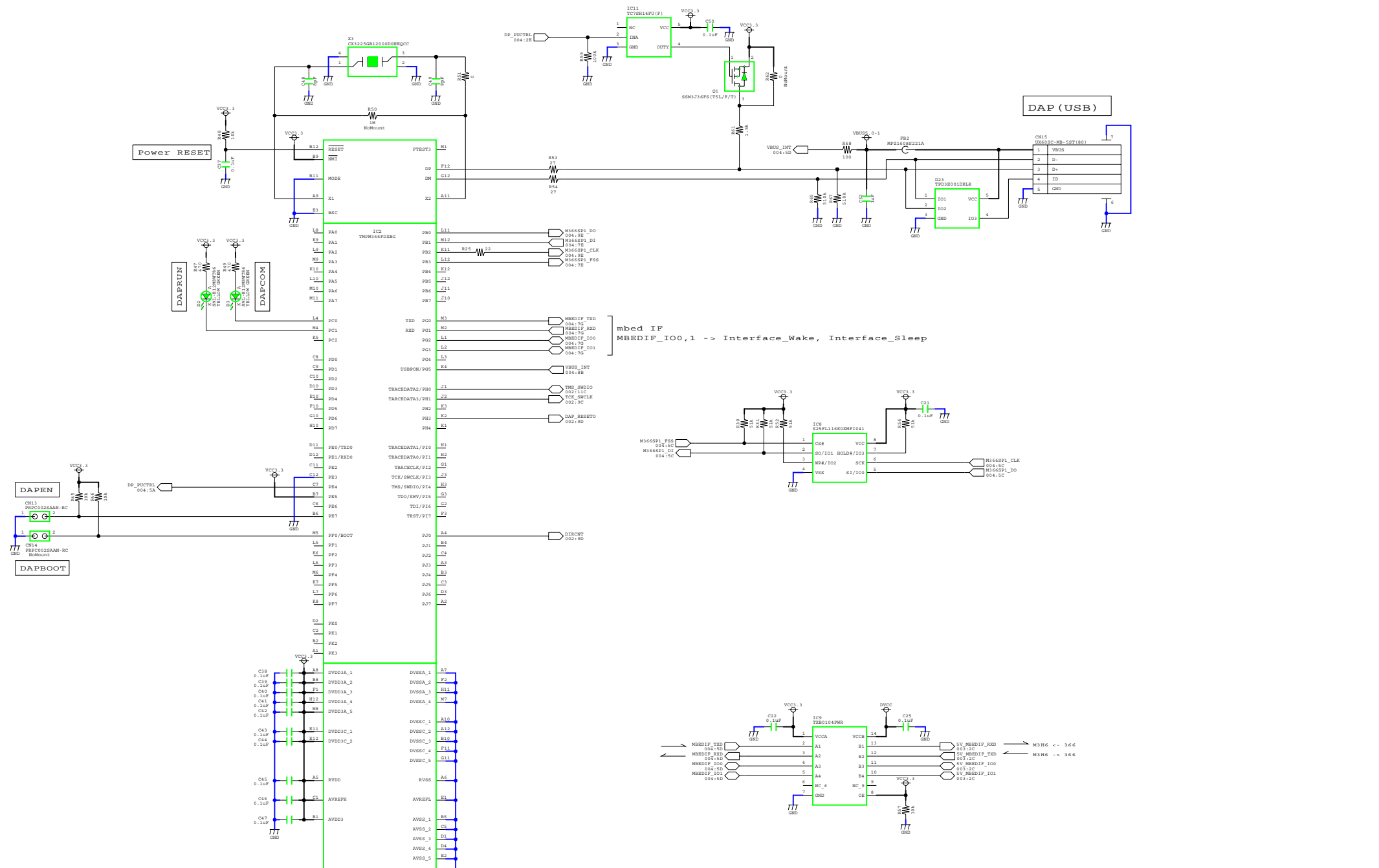


Rev	Date	作成	確認	承認	変更内容
	20/07/29				
	20/05/23				
	20/05/23				

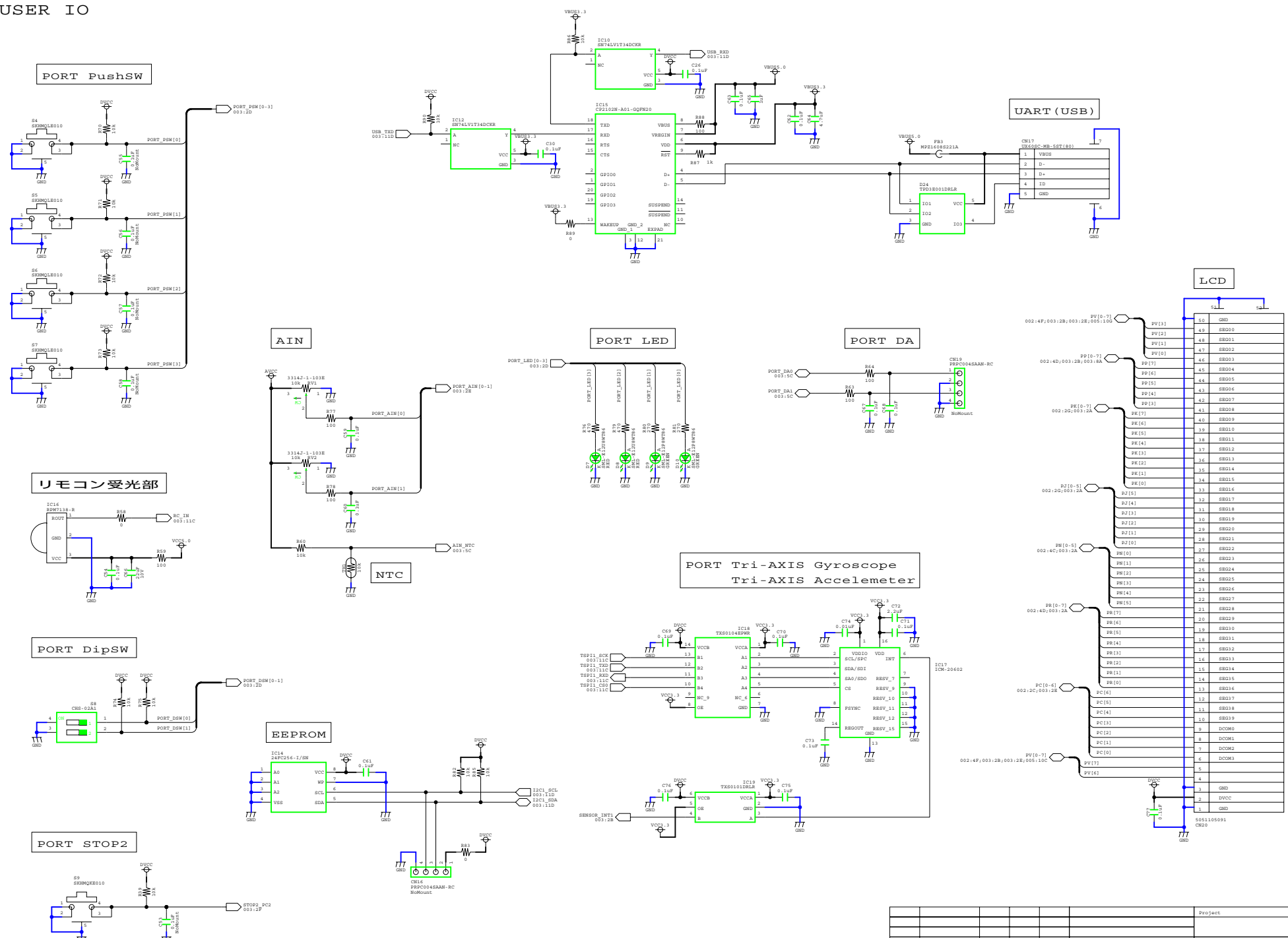
Project				
Board Name				
TMPM3HQFDFAG_REV05				
Page	Page 3 of 5			

04. DAP TMPM366FDXBG / SLC NAND



						Project
						Board Name
						TMPM3HQFDFAG_REV05
Rev	Date	作成	確認	承認	変更内容	
	20/07/29					Page
	09:15:23					Page 4 of 5

# 05. USER IO



						Project
						Board Name
						TMPM3HQFDFAG_REV05
Rev	Date	作成	確認	承認	変更内容	Page
	20/07/29	0915:23				Page 5 of 5
						SBNSYSTPC20-PC