

# TMPM3HQFDFG Evaluation Board Schematics

01. THIS SHEET
02. MCU TMPM3HQFDFG (Cortex-M3)
03. PIN HEADER / Arduino CN
04. DAP TMPM366FDXBG
05. USER IO

## TMPM3HQFDFG Port Assign

```

PA0 ...ARDUINO_IO10 (PWM)
PA1 ...USB to UART (TXD)
PA2 ...USB to UART (RXD)
PA3 ...GPIO
PA4 ...I2C (SCL)
PA5 ...I2C (SDA)
PA6-7...GPIO

PB0 ...BOOT/GPIO
PB1 ...REMOCON
PB2 ...SENSOR (SPI_SCK)
PB3 ...SENSOR (SPI_DO)
PB4 ...SENSOR (SPI_DI)
PB5 ...SENSOR (SPI_CS)
PB6-7...GPIO

PC0 ...ARDUINO_I2C (SCL)
PC1 ...ARDUINO_I2C (SDA)
PC2 ...STOP2
PC3 ...ARDUINO_IO4
PC4 ...ARDUINO_IO2
PC5-6...GPIO

PD0-3...GPIO
PD4-5...VOLUME

PE0 ...NTC THERMISTOR
PE1-6...GPIO

PF0-1...GPIO
PF2-7...ARDUINO_AIN

PG0-1...DA
PG2 ...ARDUINO_IO9 (PWM)
PG3-7...GPIO

PH0-3...XTAL
PH4 ...nRESET
PH5-7...GPIO

PJ0 ...ARDUINO_IO5 (PWM)
PJ1 ...mbed UART (TXD)
PJ2 ...mbed UART (RXD)
PJ3-5...GPIO

PK0 ...GPIO
PK1 ...mbed IO
PK2 ...ARDUINO_IO3 (PWM)
PK3 ...mbed IO
PK4-7...LED

PL0-4...SWD_IF/GPIO
PL5-7...GPIO

PM0-4...TRACE/GPIO
PM5 ...GPIO
PM6 ...ARDUINO_IO7
PM7 ...GPIO

PN0 ...ARDUINO_IO6 (PWM)
PN1-2...GPIO
PN3 ...SENSOR (INT)
PN4-5...GPIO

PP0 ...ARDUINO_IO11 (PWM)
PP1-2...GPIO
PP3-7...DIPSW

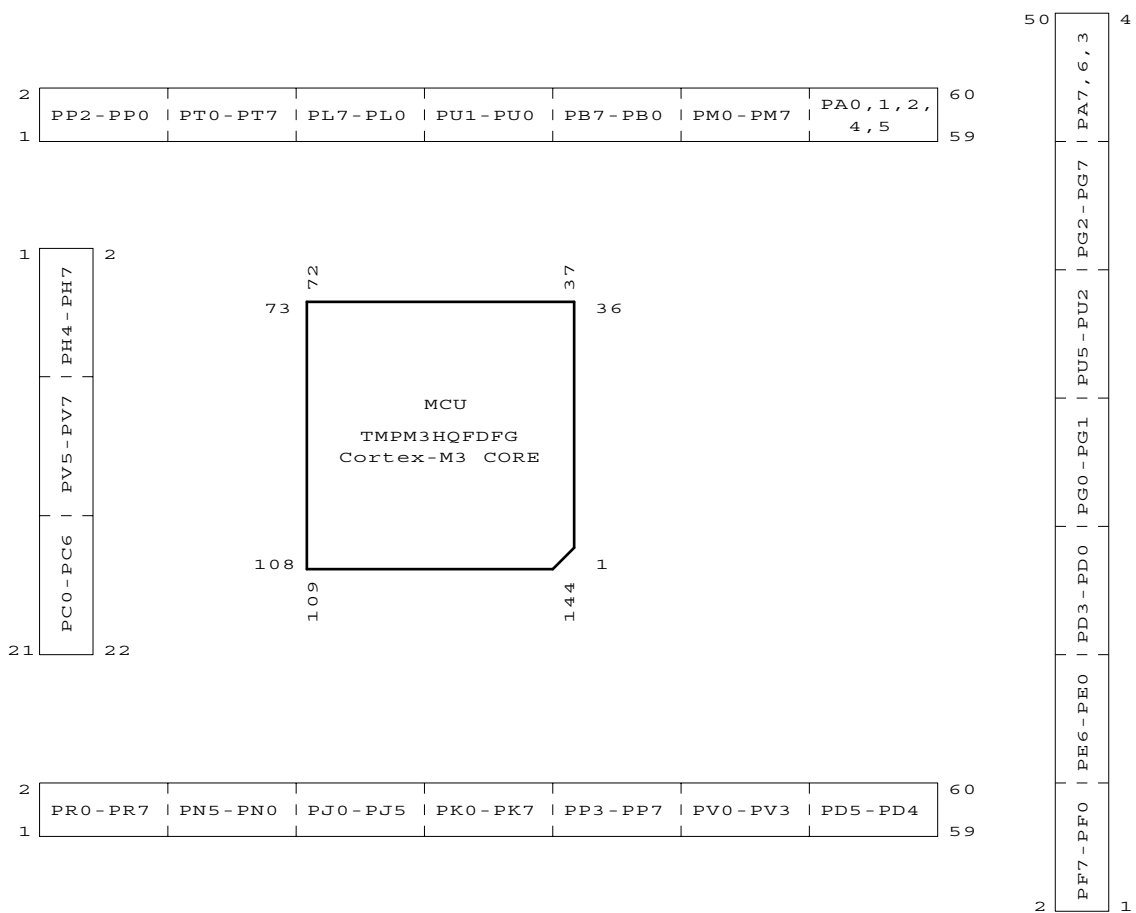
PR0-7...GPIO

PT0 ...ARDUINO_IO8
PT1 ...ARDUINO_IO10 (SPI_CS)
PT2 ...ARDUINO_IO13 (SPI_SCK/PWM)
PT3 ...ARDUINO_IO11 (SPI_MOSI)
PT4 ...ARDUINO_IO12 (SPI_MISO)
PT5-7...GPIO

PU0-5...GPIO

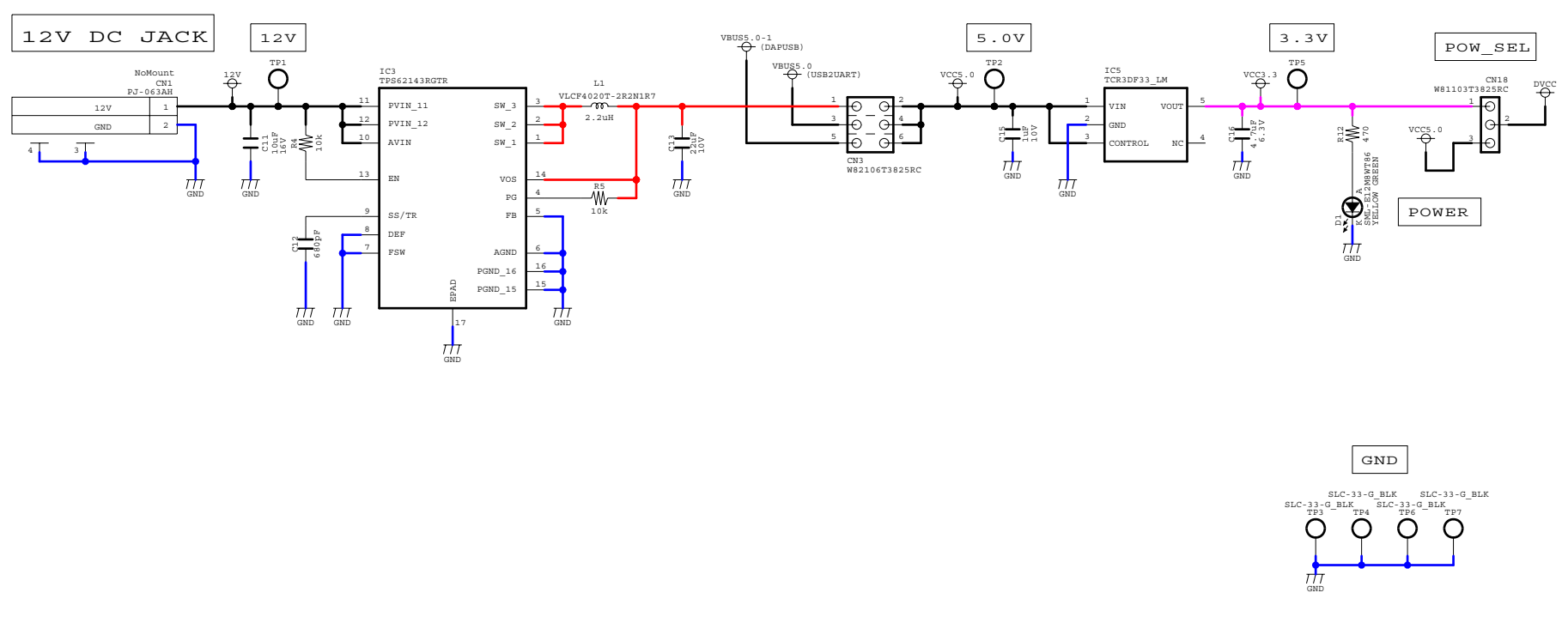
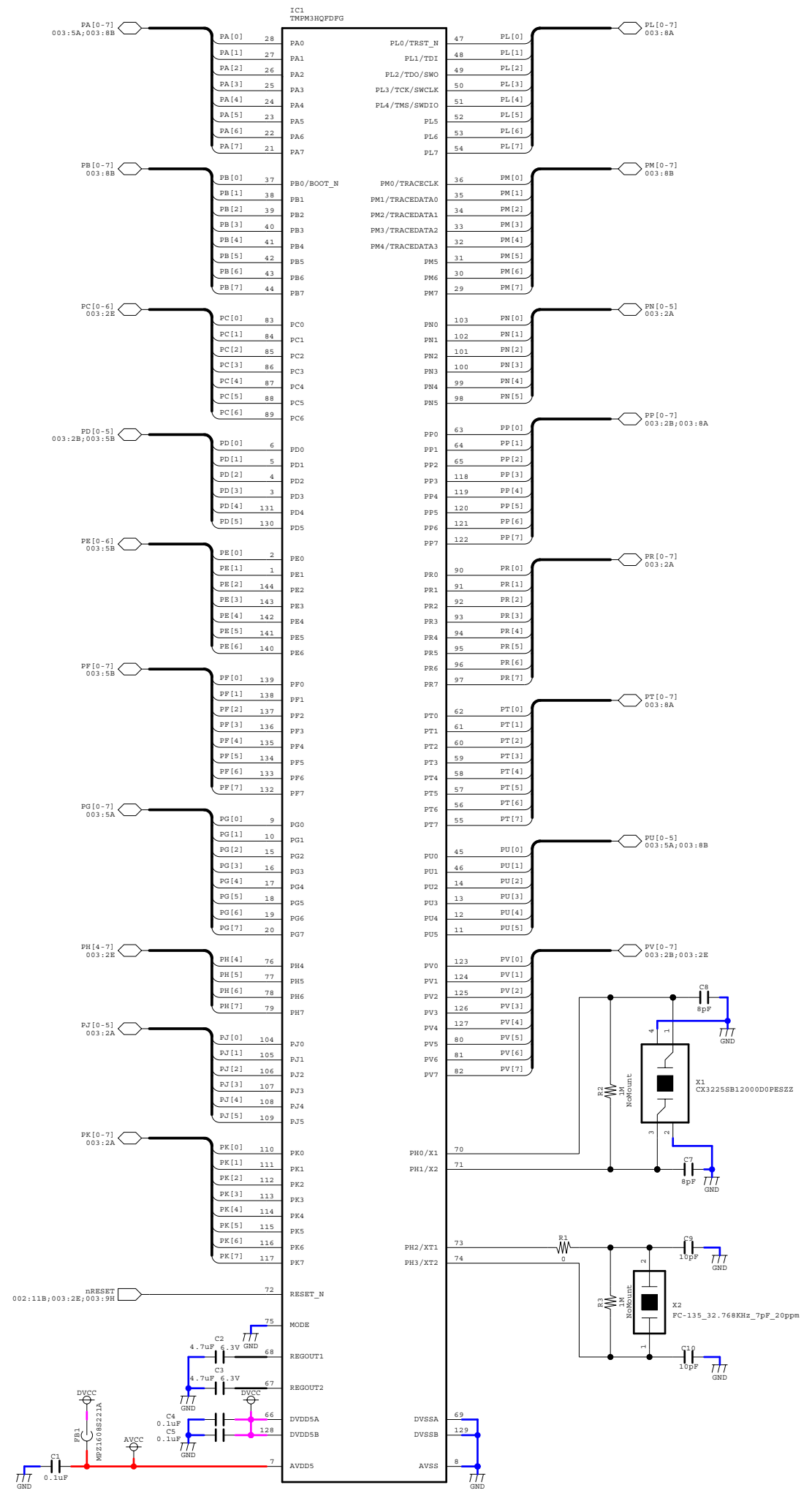
PV0-3...PUSHSW
PV4-5...GPIO
PV6 ...ARDUINO_IO1 (UART_TXD)
PV7 ...ARDUINO_IO0 (UART_RXD)

```



						Project
						Board Name
						TMPM3HQFDFG_REV05
Rev	Date	作成	確認	承認	変更内容	Page
	17/09/04 13:05:12 yamada					Page 1 of 5

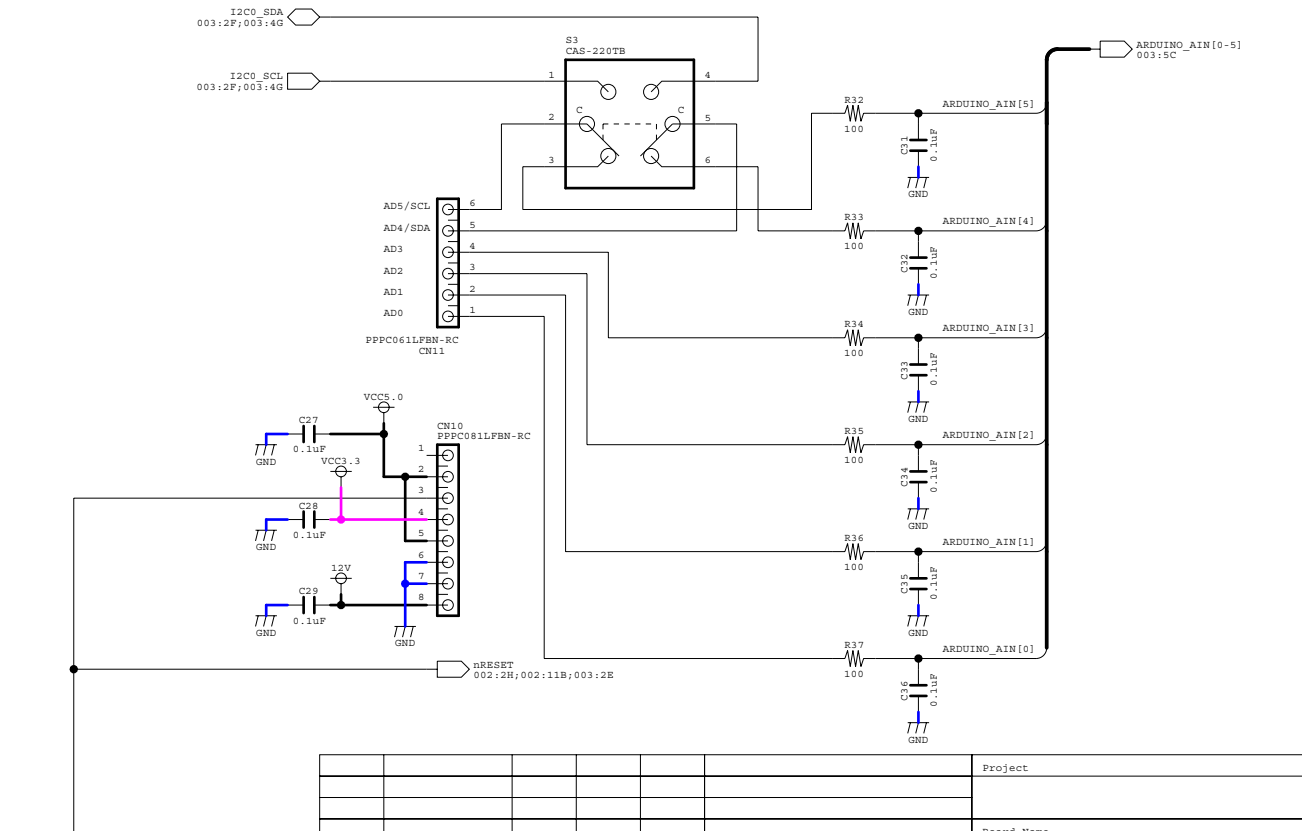
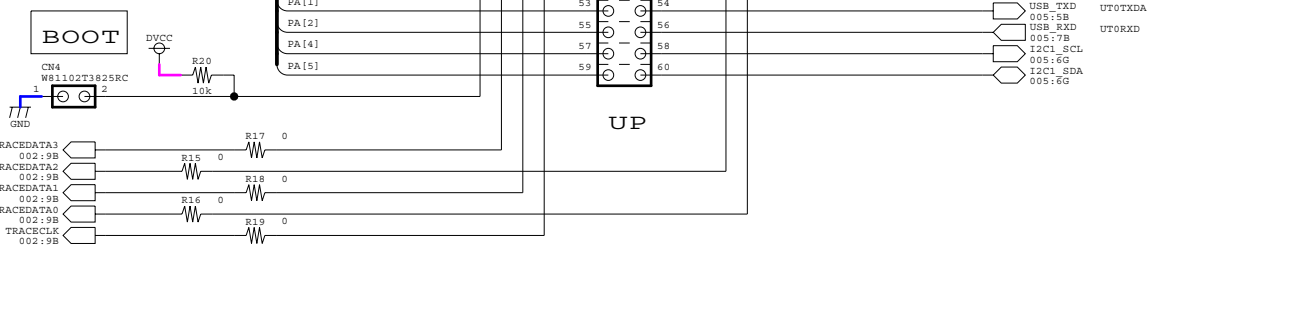
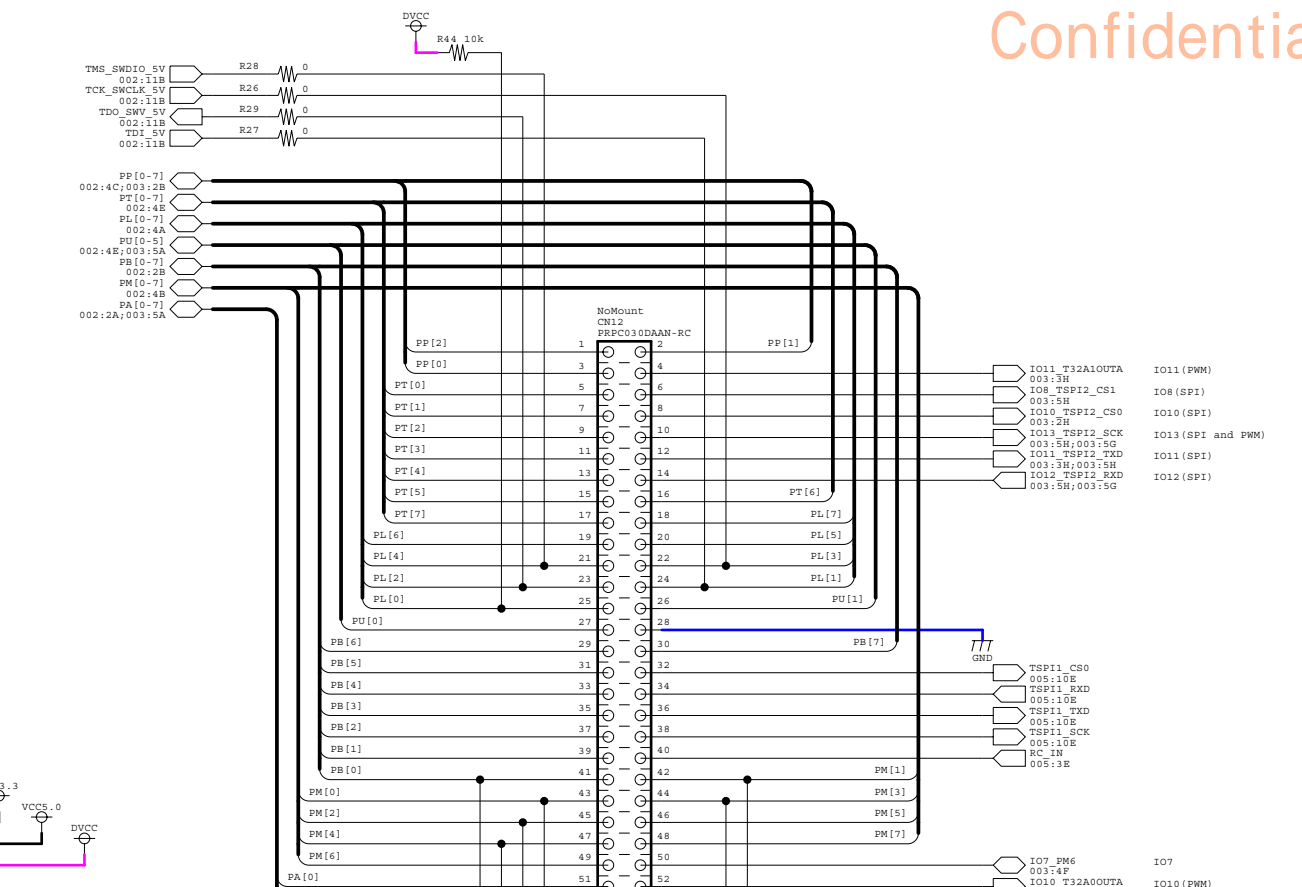
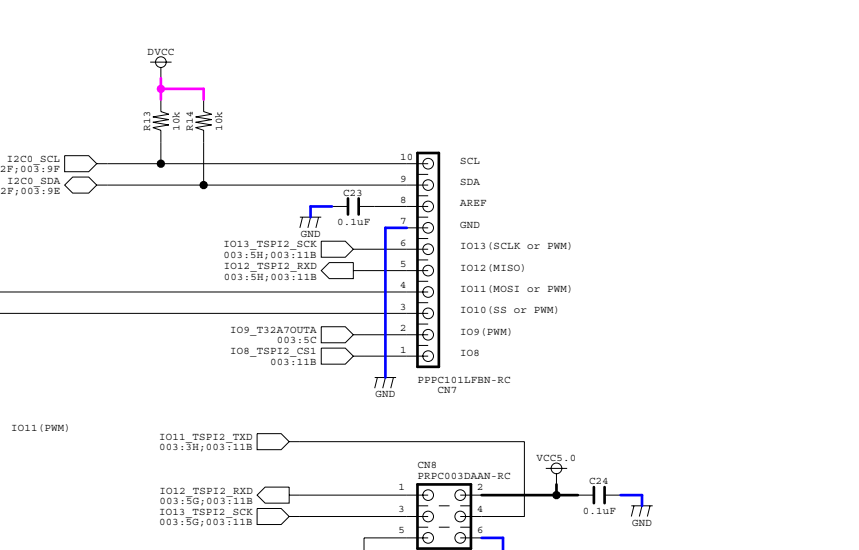
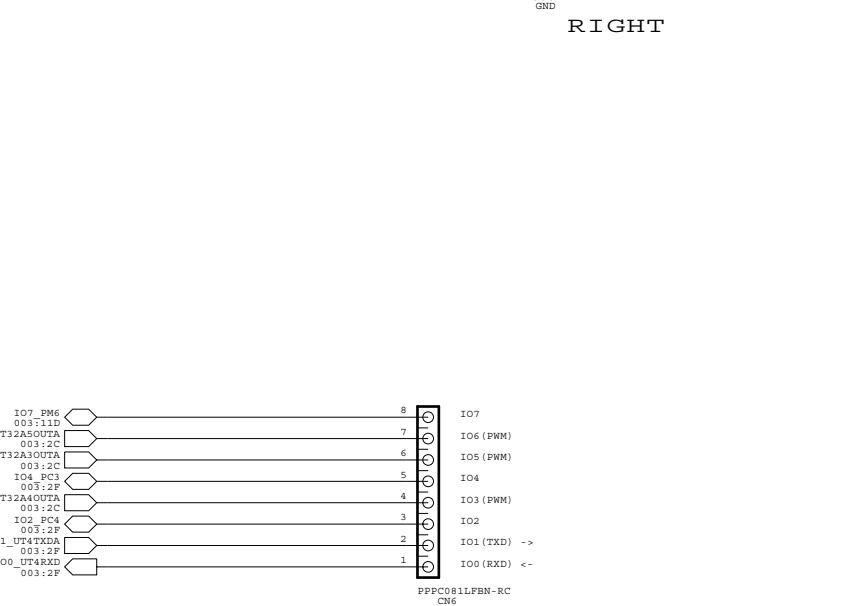
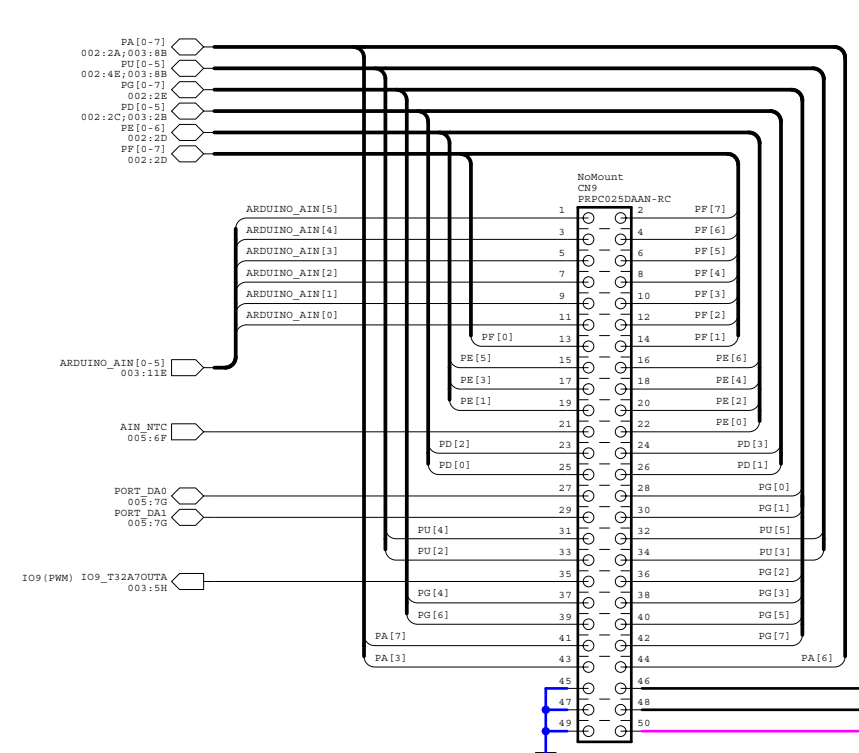
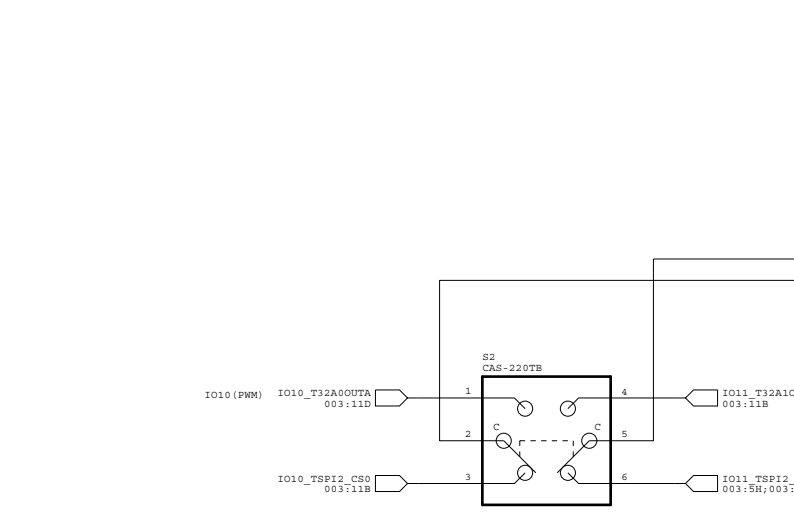
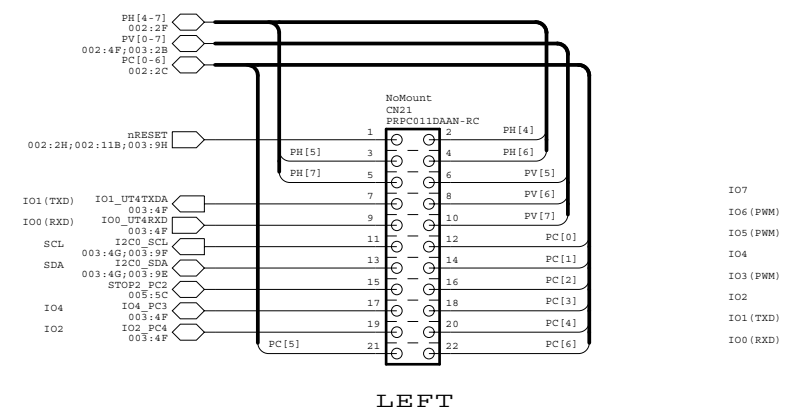
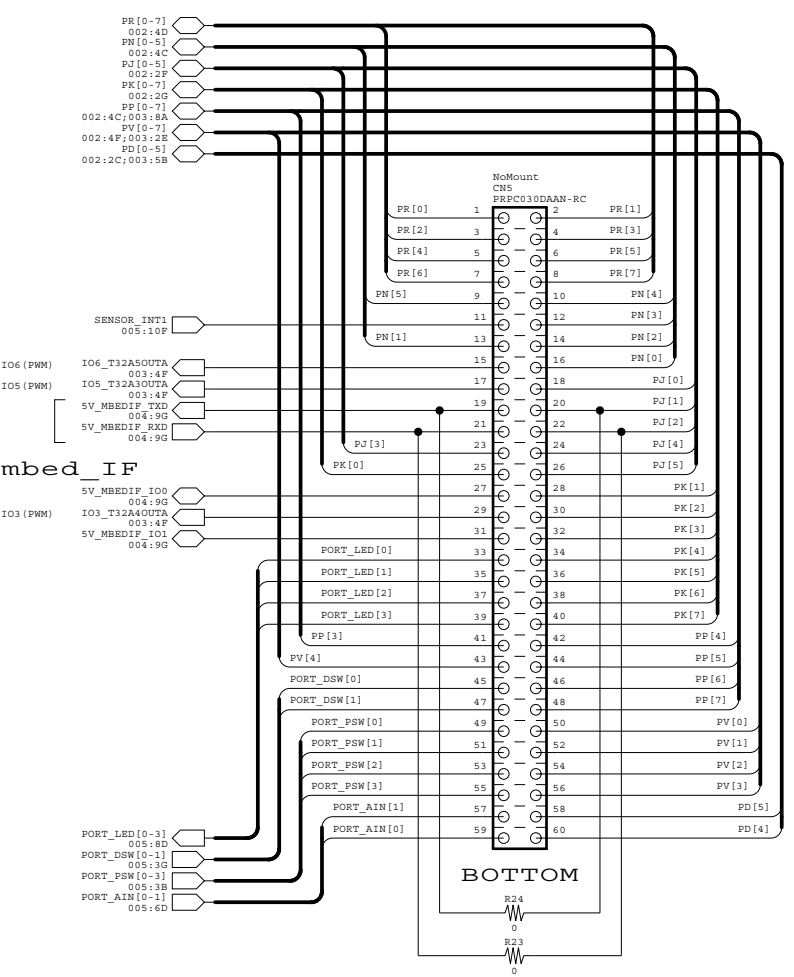
02. MCU TMPM3HQFDFG (Cortex-M3) / SWJ / POWER



- SWJ/ETM
- 1. VTRFEP TMS\_SWIDIO.2
  - 3. GND TCK\_SWCLK.4
  - 5. GND TDI\_SVW.6
  - 7. KEY TDI.8
  - 9. GND nSRST.10
  - 11. NC TRACELCK.12
  - 13. NC TRACEDATA0.14
  - 15. GND TRACEDATA1.16
  - 17. GND TRACEDATA2.18
  - 19. GND TRACEDATA3.20

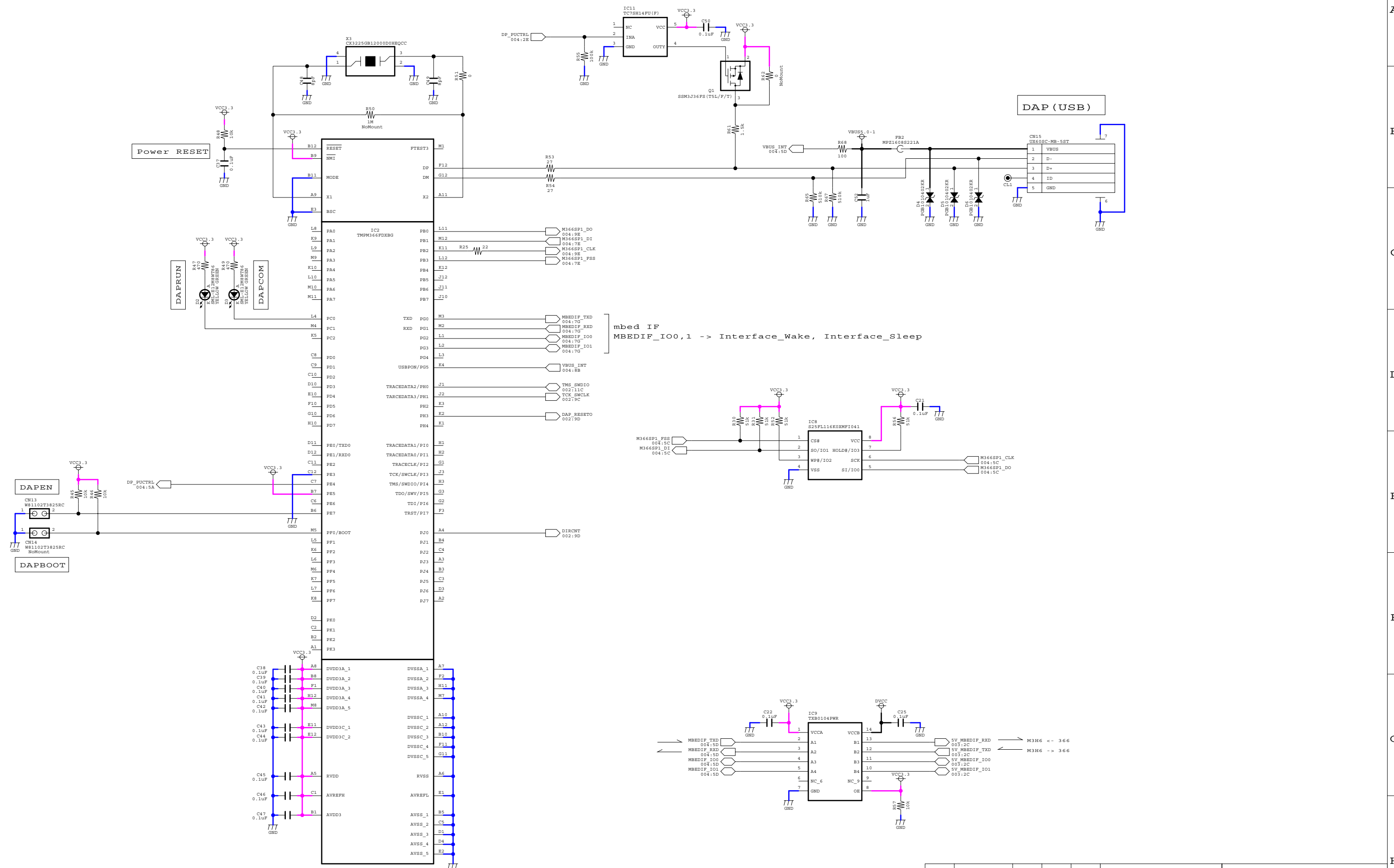
					Project
					Board Name
					TMPM3HQFDFG_REV05.0
Rev	Date	作成	確認	承認	変更内容
	17/09/04 13:05:12	yamada			
					Page
					Page 2 of 5

03. PIN HEADER / Arduino CN



Rev	Date	作成	確認	承認	変更内容	Project
	17/09/04 13:05:12	yamada				
						Board Name
						TMPM3HQDFDG_REV05
						Page
						Page 3 of 5

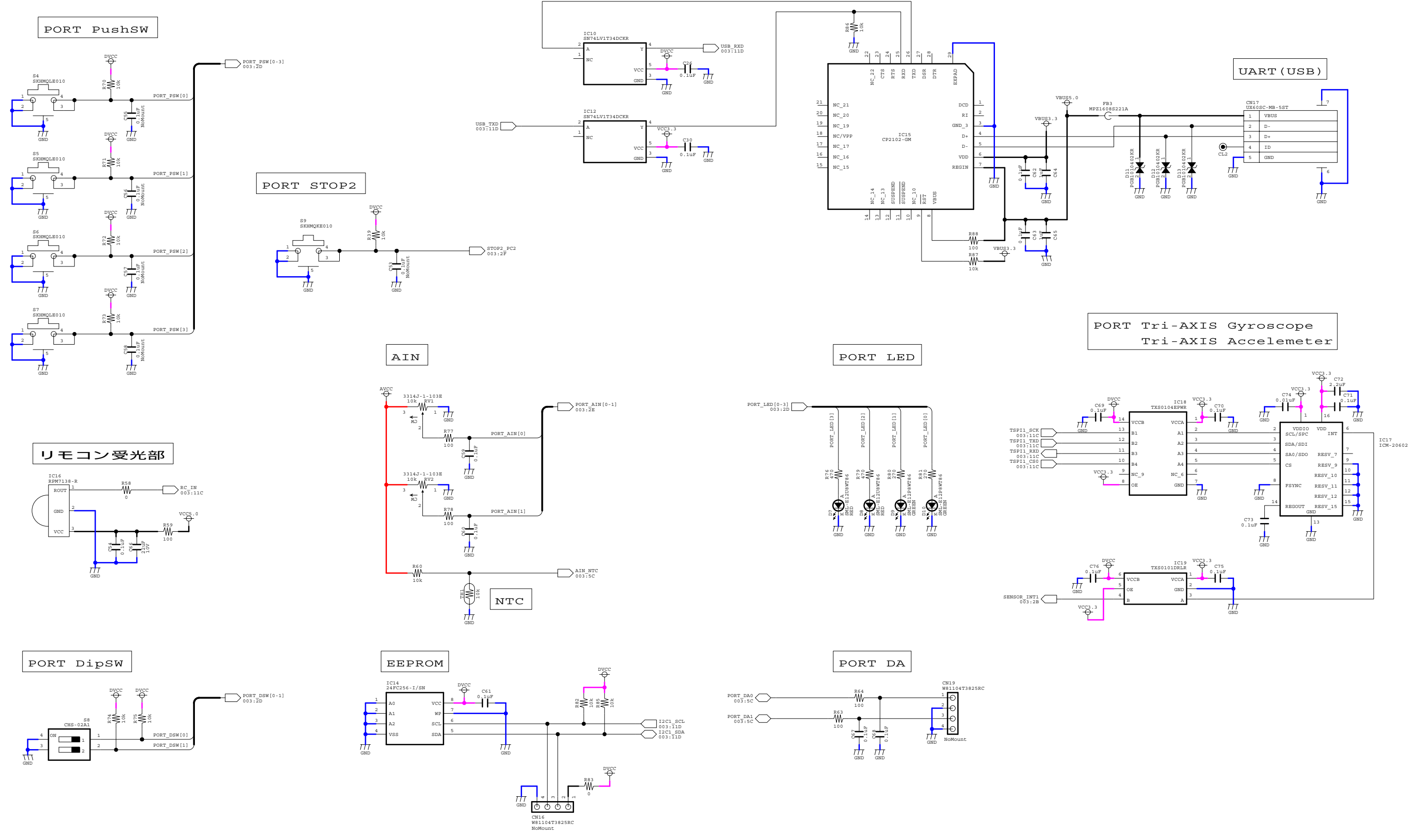
04. DAP TPM366FDXBG / SLC NAND



mbed IF  
MBEDIF\_IO0,1 -> Interface\_Wake, Interface\_Sleep

					Project
					Board Name
					TMPM3HQDFDG_REV05
Rev	Date	作成	確認	承認	変更内容
	17/09/04 13:05:12	yamada			
					Page Page 4 of 5

05. USER IO



					Project
					Board Name
					TMPM3HQDFDG_REV05.0
Rev	Date	作成	確認	承認	変更内容
	17/09/04 13:05:12	yamada			
					Page
					Page 5 of 5