

# TMPM3H6FWFG Evaluation Board Schematics

01. THIS SHEET
02. MCU TMPM3H6FWFG (Cortex-M3)
03. PIN HEADER / Arduino CN
04. DAP TMPM366FDXBG
05. USER IO

## TMPM3H6FWFG Port Assign

```

PA0 ...GPIO
PA1-2...USB to UART
PA3 ...GPIO
PA4-5...ARDUINO_I2C
PA6-7...GPIO

PB1 ...REMOCON
PB2 ...ARDUINO_IO7
PB3 ...ARDUINO_IO6 (PWM)
PB4-7...LED (4bit)

PC0-1...I2C
PC2 ...GPIO
PC3 ...ARDUINO_IO5 (PWM)
PC4 ...ARDUINO_IO4
PC5-6...GPIO

PD0-1...VOLUME
PD2 ...NTC THERMISTOR
PD3 ...GPIO

PE0-5...ARDUINO_AIN
PE6 ...GPIO

PF0-1...DipSW (2bit)
PF2-3...mbed IO
PF4 ...GPIO

PG0-1...DA

PH0-4...XTAL

PJ0 ...ARDUINO_IO9 (PWM)
PJ1 ...ARDUINO_IO8
PJ2 ...GPIO
PJ3 ...ARDUINO_IO3 (PWM)
PJ4 ...ARDUINO_IO2
PJ5 ...GPIO

PK0 ...GPIO
PK1 ...mbed UART_RXD
PK2 ...mbed UART_TXD, SWD_I/F
PK3-7...GPIO, SWD_I/F

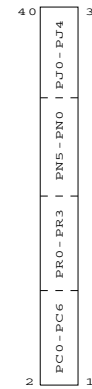
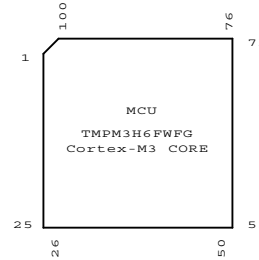
PL0-1...ARDUINO_IO0-1 (UART)
PL2-5...GPIO
PL6 ...ARDUINO_IO10 (SPI_CS)

PM0-6...GPIO, TRACECLK, TRACEDATA

PN0 ...ARDUINO_IO10 (PWM)
PN1-4...PushSW (4bit)

PP0 ...ARDUINO_IO13 (PWM&SPI_CLK)
PP1 ...ARDUINO_IO12 (SPI_DO)
PP2 ...ARDUINO_IO11 (SPI_DI)

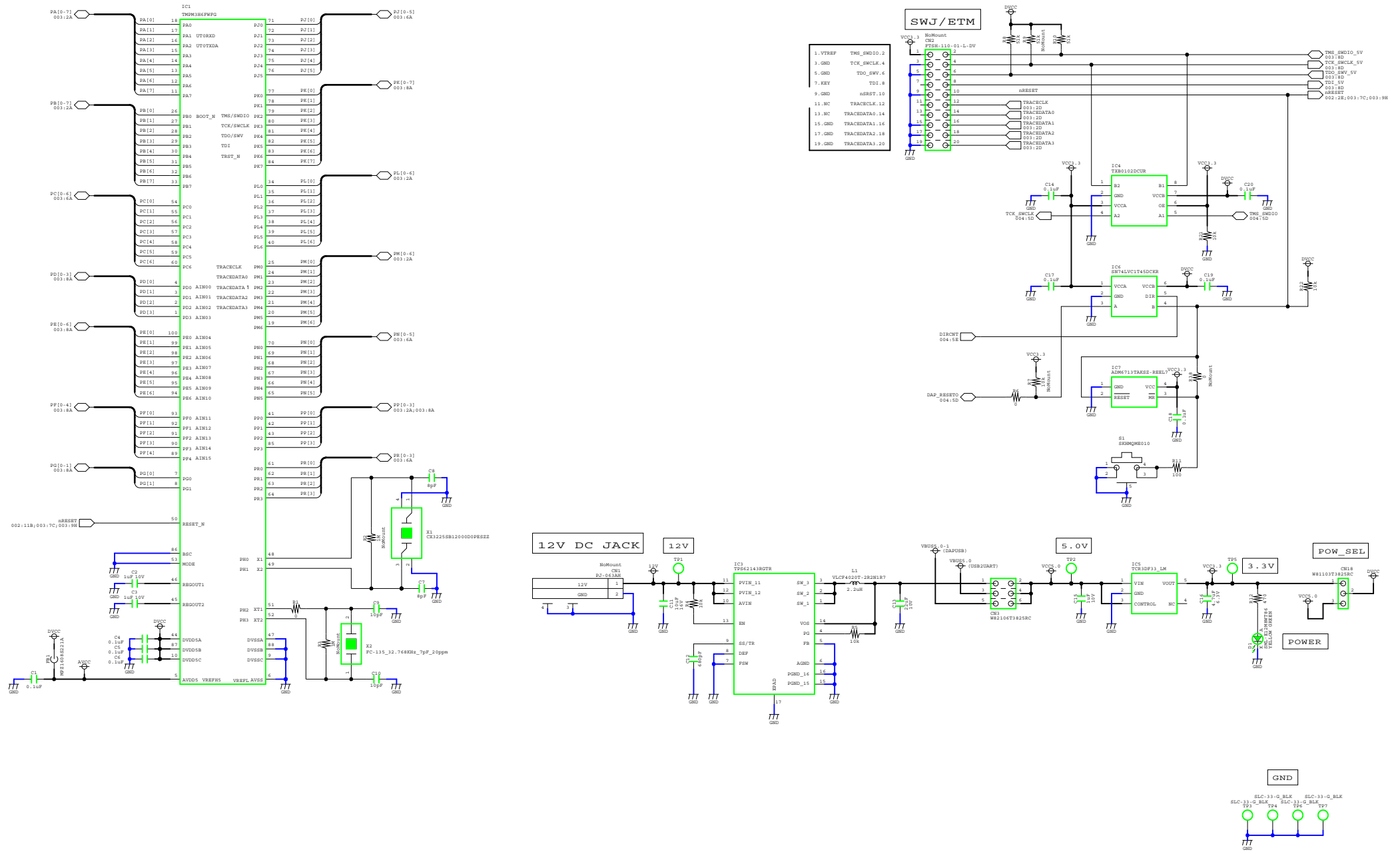
PR0 ...ARDUINO_IO11 (PWM)
PR1-3...GPIO
    
```



										Project
										Board Name
										TMPM3H6FWFG_MP3.cir
Rev	Date	作成	確認	承認	変更内容					
	17/02/14 09:21:25 Yamaguchi									Page Page 1 of 5

02. MCU TMPM3H6FWFG (Cortex-M3) / SWJ / POWER

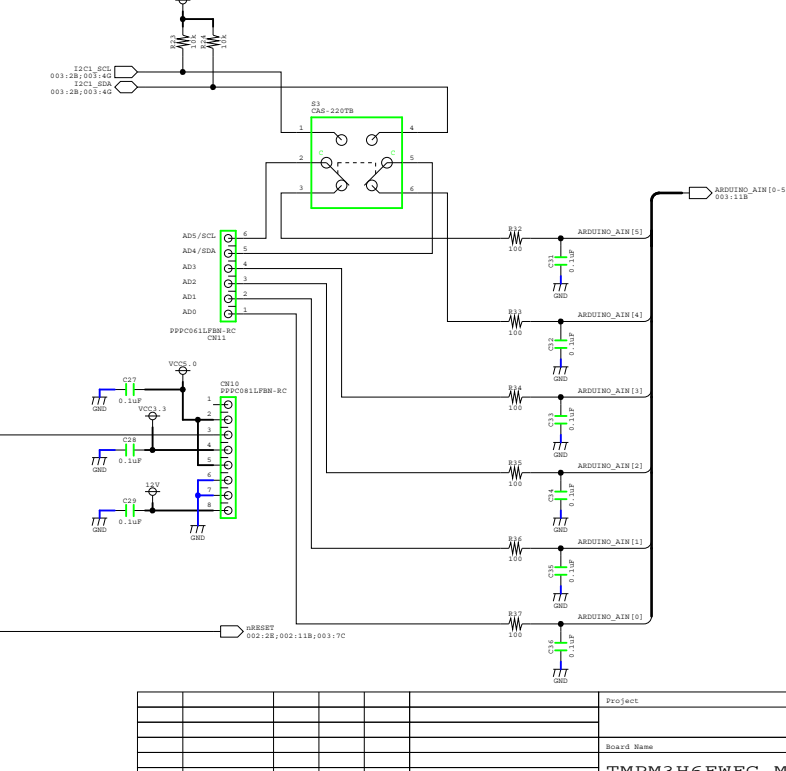
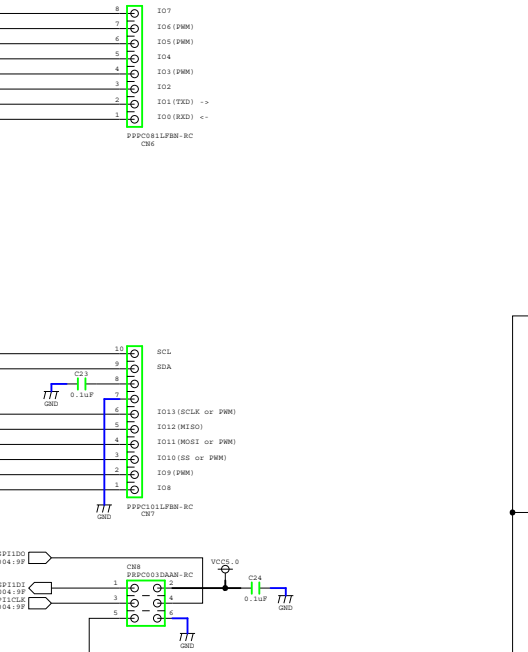
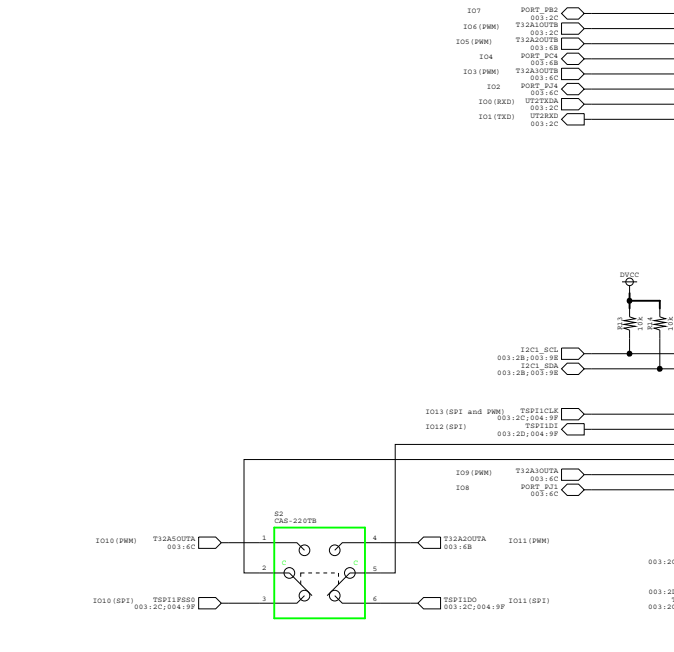
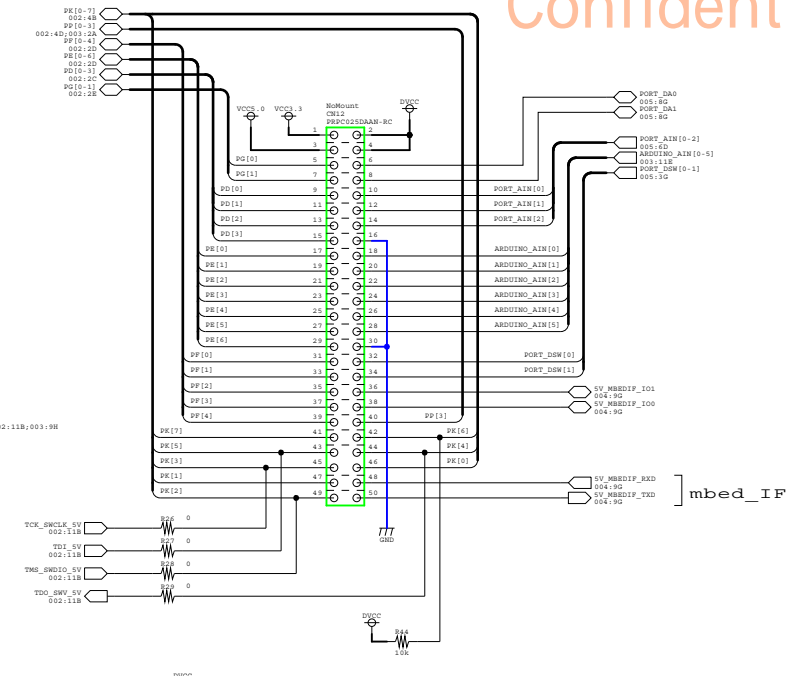
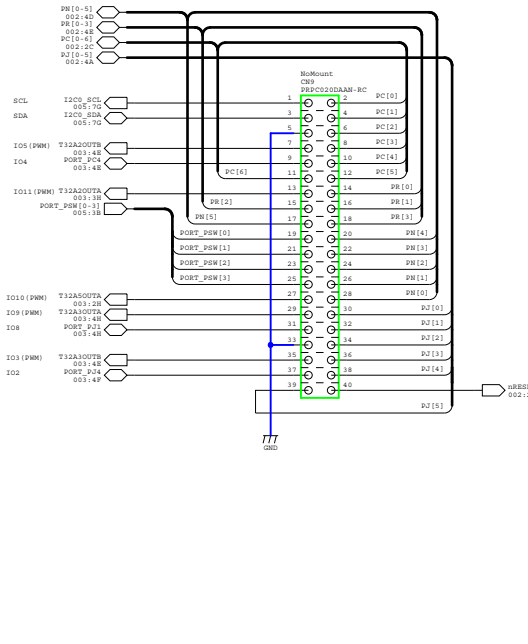
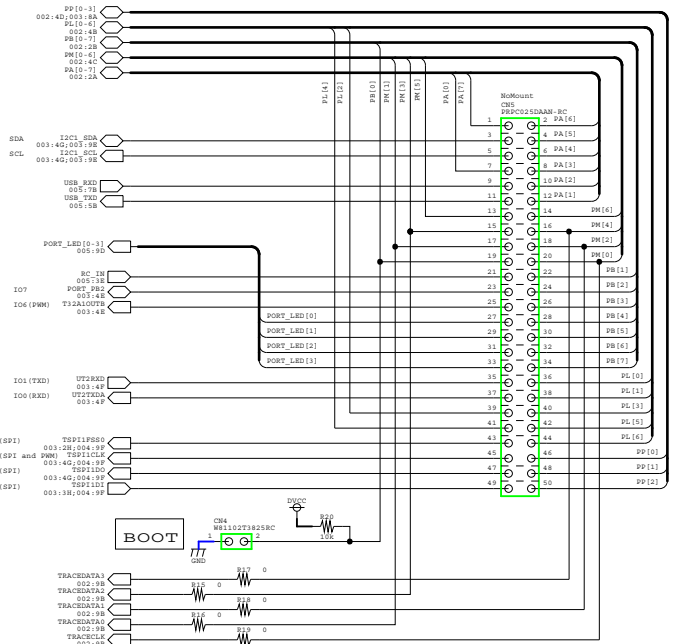
Confidential



Project					
Board Name					
TMPM3H6FWFG_MP3.cir					
Rev	Date	作成	確認	承認	変更内容
	17/02/14				
	09/07/27	Yamaguchi			
Page					Page 2 of 5

03. PIN HEADER / Arduino CN

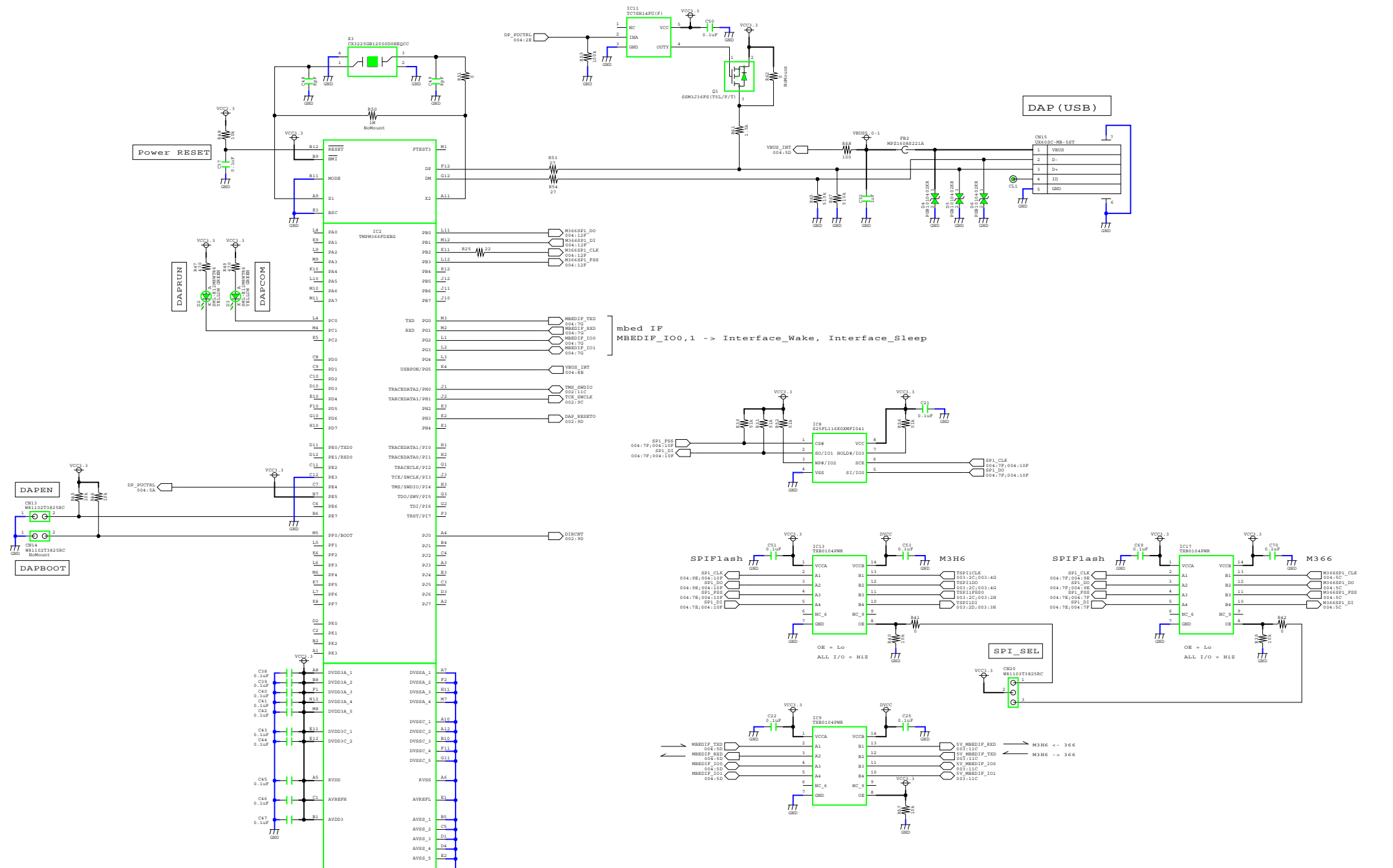
Confidential



Rev	Date	作成	確認	承認	変更内容	Project
						TMPM3H6FWFG_MP3.cir
	17/02/14	Yamaguchi				
	09/27/28					

04. DAP TMPM366FDXBG / SLC NAND

Confidential



mbed IF  
MBEDIF\_I00,1 -> Interface\_Wake, Interface\_Sleep

DAP (USB)

SPIFlash

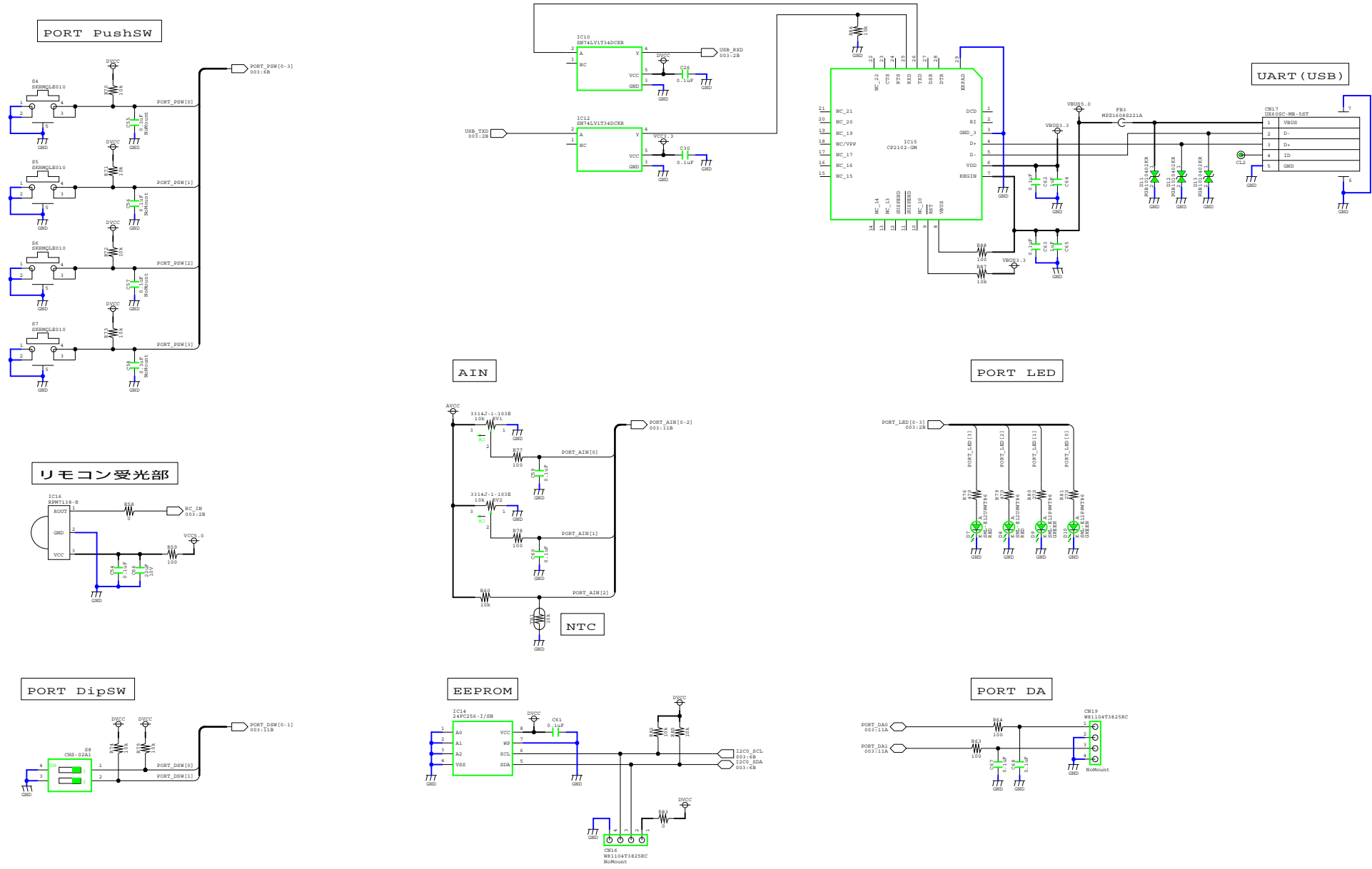
SPIFlash

SPI\_SEL

						Project
						Board Name
						TMPM3H6FWFG_MP3.cir
Rev	Date	作成	確認	承認	変更内容	Page
	17/02/14					Page 4 of 5
	09/27/20	Yanaguchi				

05. USER IO

Confidential



The copyright of the circuit diagram is in Sensyst Co.,Ltd.

						Project
						Board Name
						TMPM3H6FWFG_MP3.cir
Rev	Date	作成	確認	承認	変更内容	Page
	17/02/14 09:27:29	Yamaguchi				Page 5 of 5