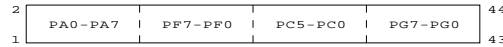
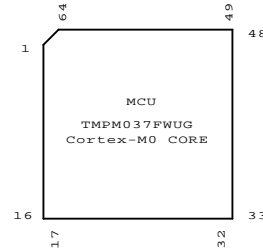


# TMPM037FWUG Evaluation Board Schematics

01. THIS SHEET
02. MCU TMPM037FWUG(Cortex-M0)
03. USER IO
04. DAP TMPM366FDXBG

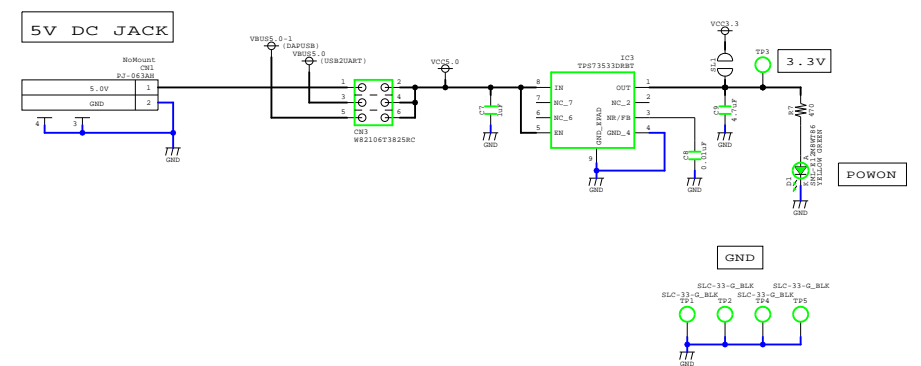
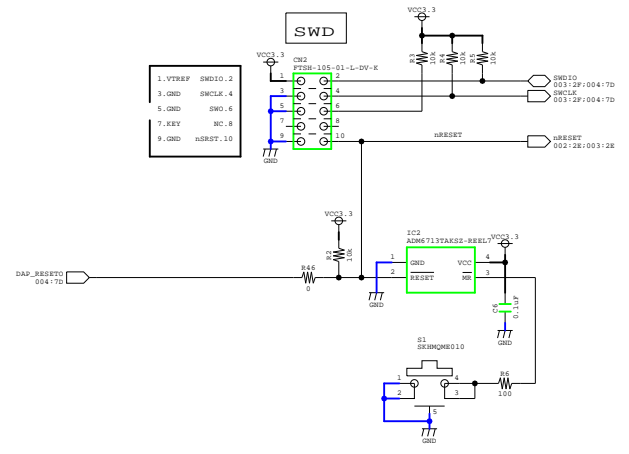
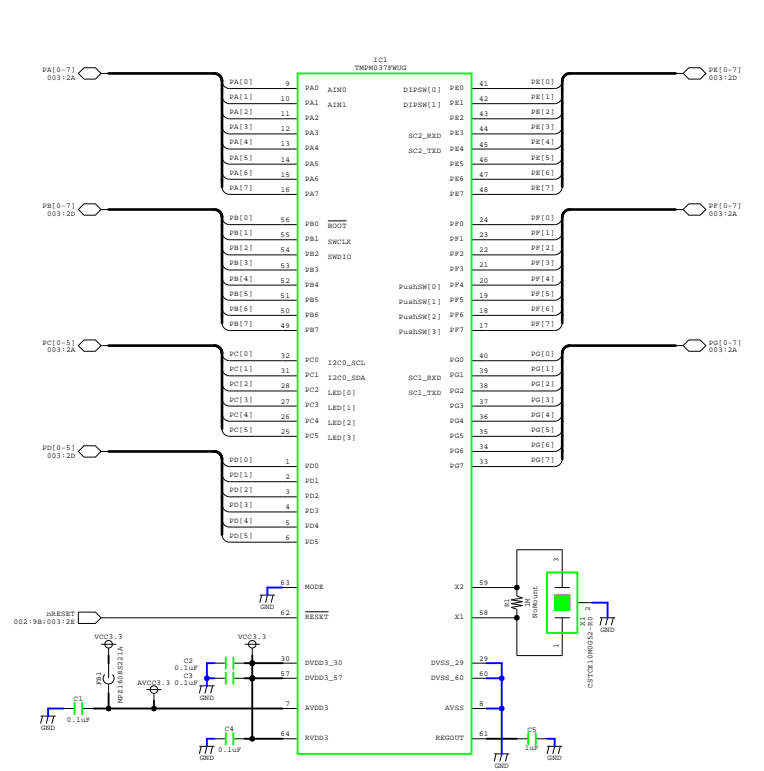
## TMPM037FWUG Port Assign

PA0 ...AIN0  
 PA1 ...AIN1  
 PA2-7...GPIO  
  
 PB0 ...BOOT  
 PB1-2...SWD\_I/F,UART(SC4)  
 PB3-7...GPIO  
  
 PC0-1...I2C\_I/F  
 PC2-5...LED(4bit)  
 PD0-5...GPIO  
  
 PE0-1...DipSW(2bit)  
 PE2 ...GPIO  
 PE3-4...UART(SC2)  
 PE5-7...GPIO  
  
 PF0-3...GPIO  
 PF4-7...PushSW(4bit)  
  
 PG0 ...GPIO  
 PG1-2...UART(SC1)  
 PG3-7...GPIO



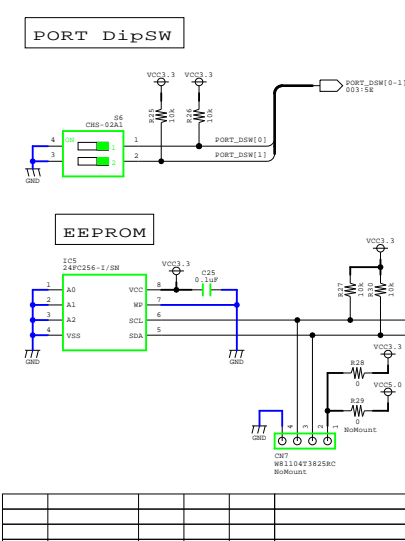
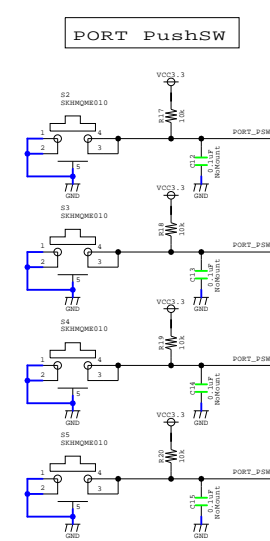
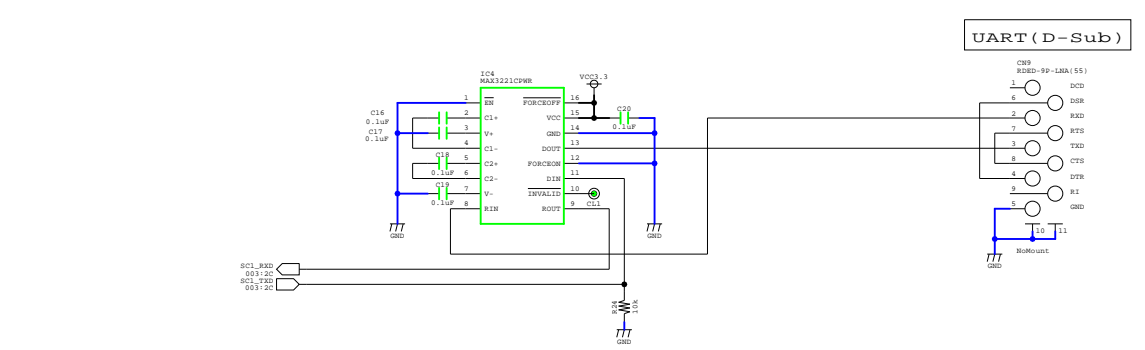
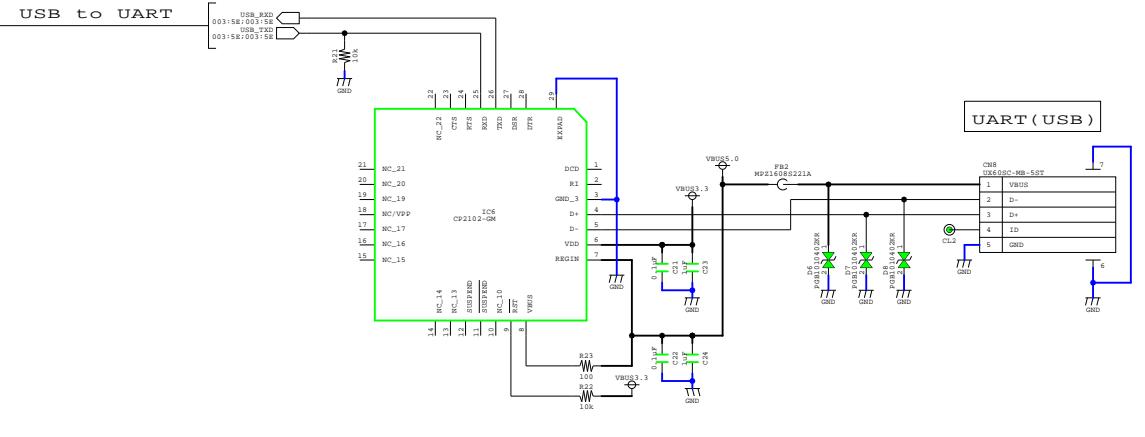
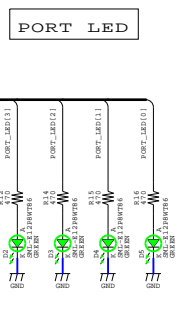
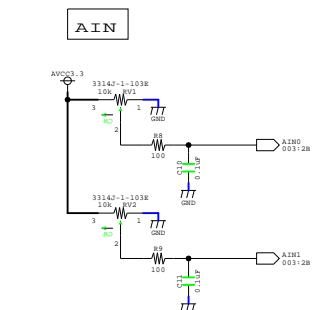
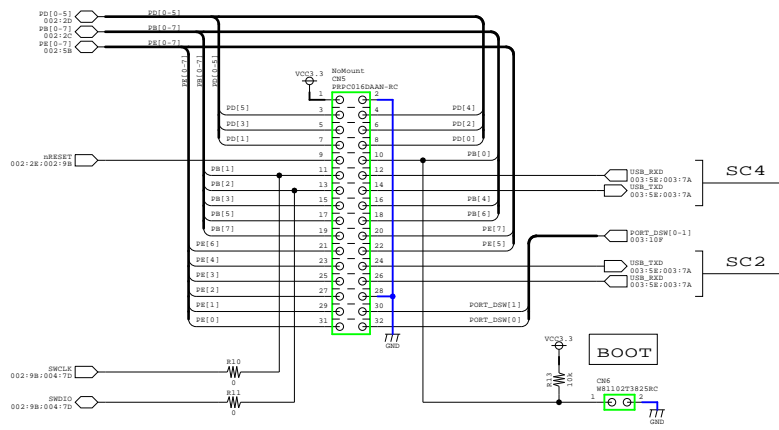
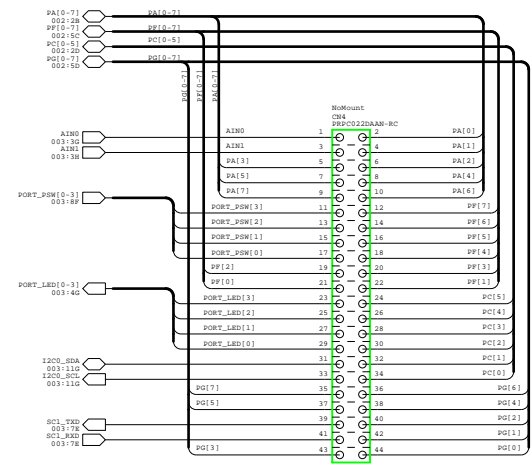
						Project
						Board Name
						TMPM037FWUG_REV04.cir /
Rev	Date	作成	確認	承認	変更内容	Page
	14/07/26 11:44:08 S.Yanaguchi					Page 1 of 4

02. MCU TMPM037FWUG(Cortex-M0)



						Project
						Board Name
						TMPM037FWUG_REV04.cir /
Rev	Date	作成	確認	承認	変更内容	Page
	14/07/26	S.Yanaguchi				Page 2 of 4

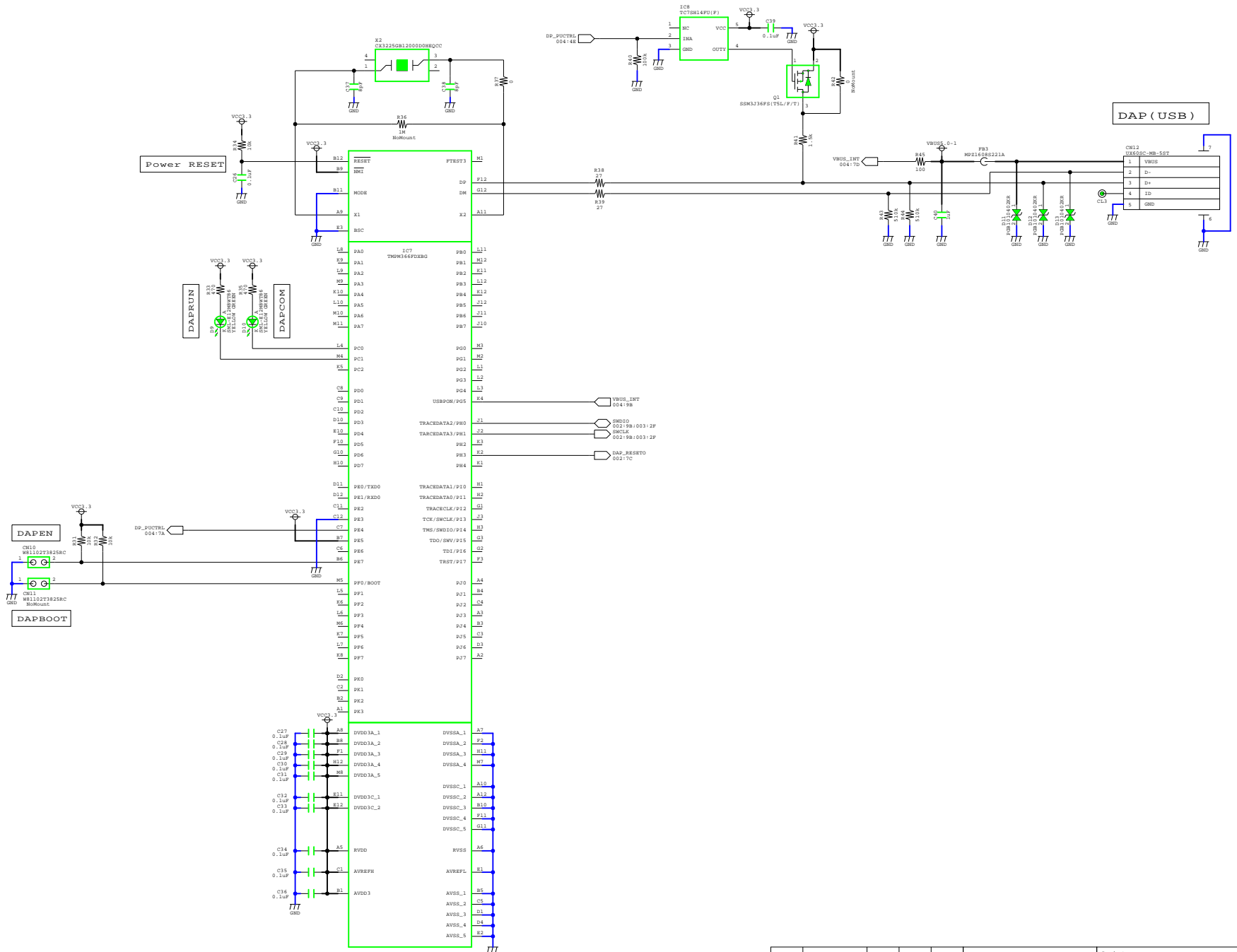
03. USER IO



Project						Board Name	
Rev						Date	
14/07/26						11:44:09	
S.Yanaguchi						S.Yanaguchi	
作成						確認	
承認						変更内容	
TMPM037FWUG_REV04.cir						Page	
Page 3 of 4						Page	

04. DAP TMPM366FDXBG

Confidential



						Project
						Board Name
						TMPM037FWUG_REV04.cir /
Rev	Date	作成	確認	承認	変更内容	Page
	14/07/26					Page 4 of 4
	11:44:03	S.Yanaguchi				