

TMPM036FWFG Evaluation Board Schematics

01. THIS SHEET
02. MCU TMPM037FWFG (Cortex-M0)
03. PIN HEADER / Arduino CN
04. DAP TMPM366FDXBG
05. USER IO

TMPM036FWFG Port Assign

PA0-5...ARDUINO AD
 PA6-7...AIN

PB0 ...BOOT
 PB1-2...SWD_I/F, UART (SC4)
 PB3-7...GPIO

PC0-3...ARDUINO IOL
 PC4-5...GPIO

PD0-1...GPIO
 PD2-3...UART (SC0)
 PE4-5...DipSW (2bit)

PE0-2...GPIO
 PE3-4...UART (SC2)
 PE5-7...GPIO

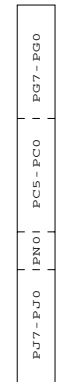
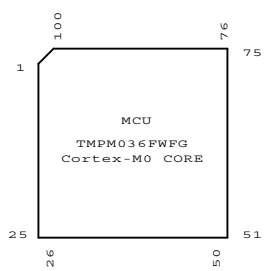
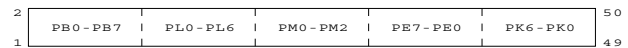
PF0-3...GPIO
 PF4-7...LED (4bit)

PG0-3...ARDUINO IOH
 PG4-7...ARDUINO IOL

PJ0-3...ARDUINO IOL
 PJ4-7...GPIO

PL0-1...GPIO
 PL2-3...I2C
 PL4-6...GPIO

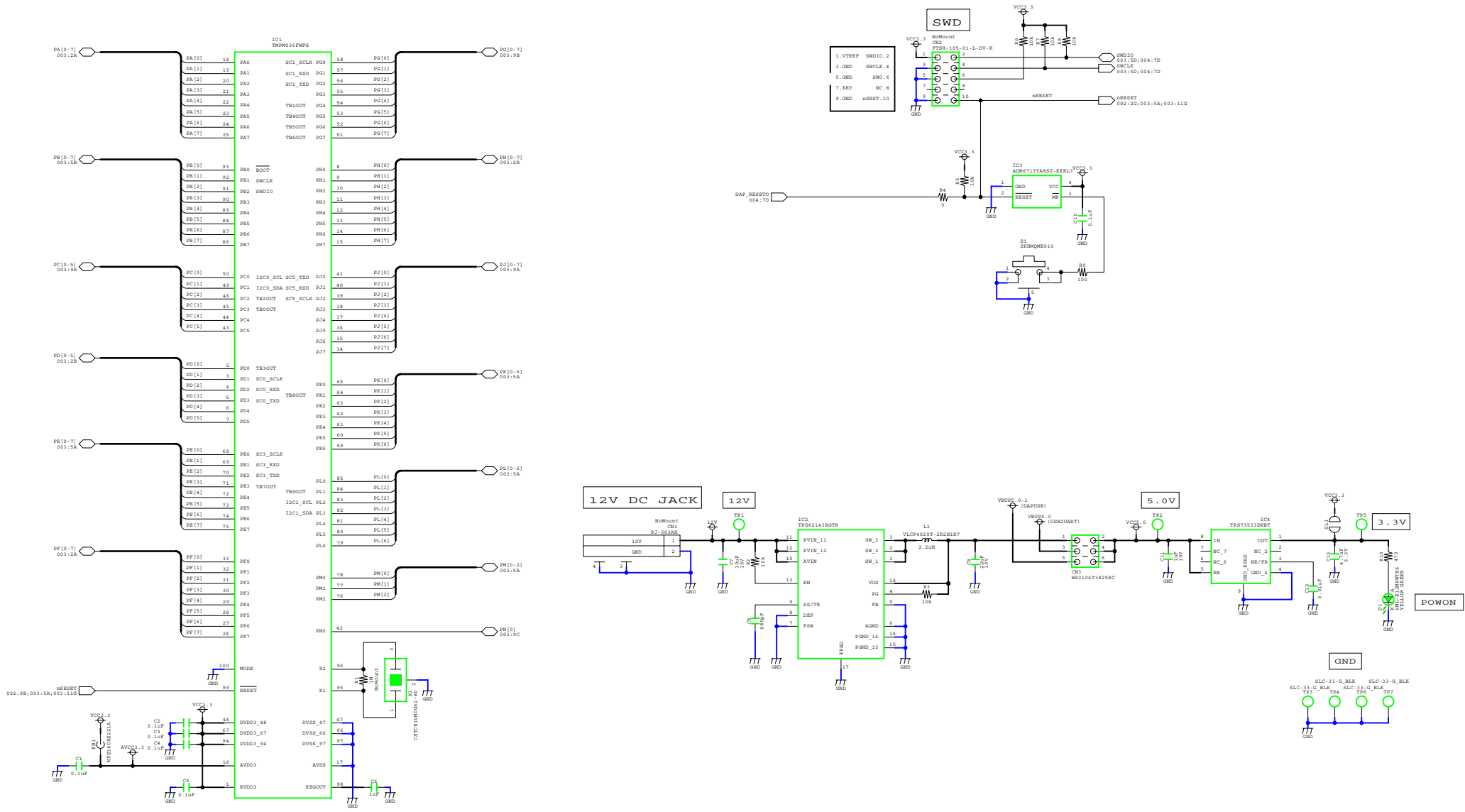
PM0-2...GPIO
 PN0 ...GPIO



| | | | | | | |
|-----|----------------------|-------------|----|----|------|------------------------|
| | | | | | | Project |
| | | | | | | Board Name |
| | | | | | | TMPM036FWFG_MP.cir/001 |
| Rev | Date | 作成 | 確認 | 承認 | 変更内容 | Page |
| | 15/08/14 17:07:25 | S.Yanaguchi | | | | Page 1 of 5 |

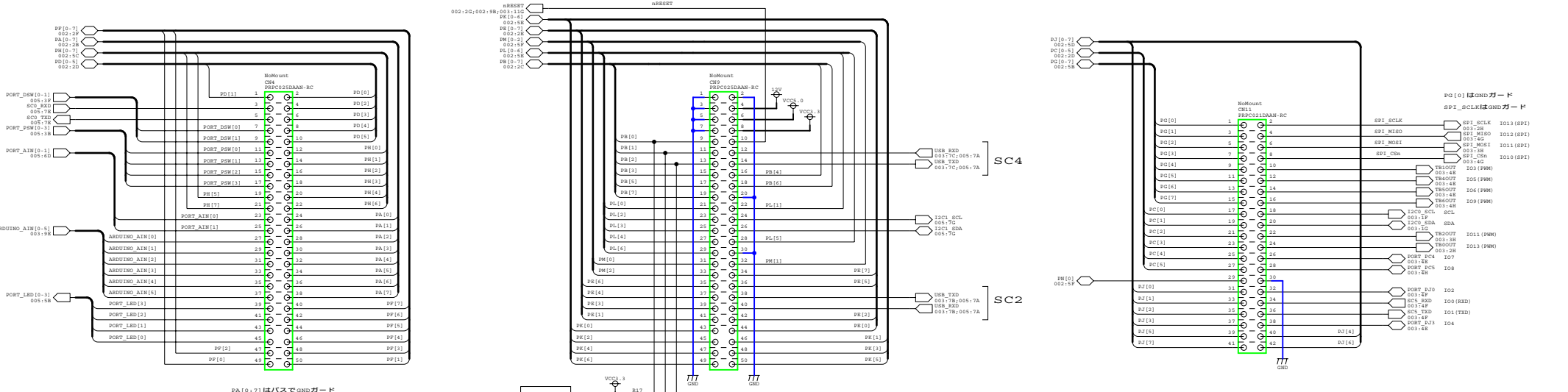
02. MCU TMPM036FWFG (Cortex-M0)

Confidential



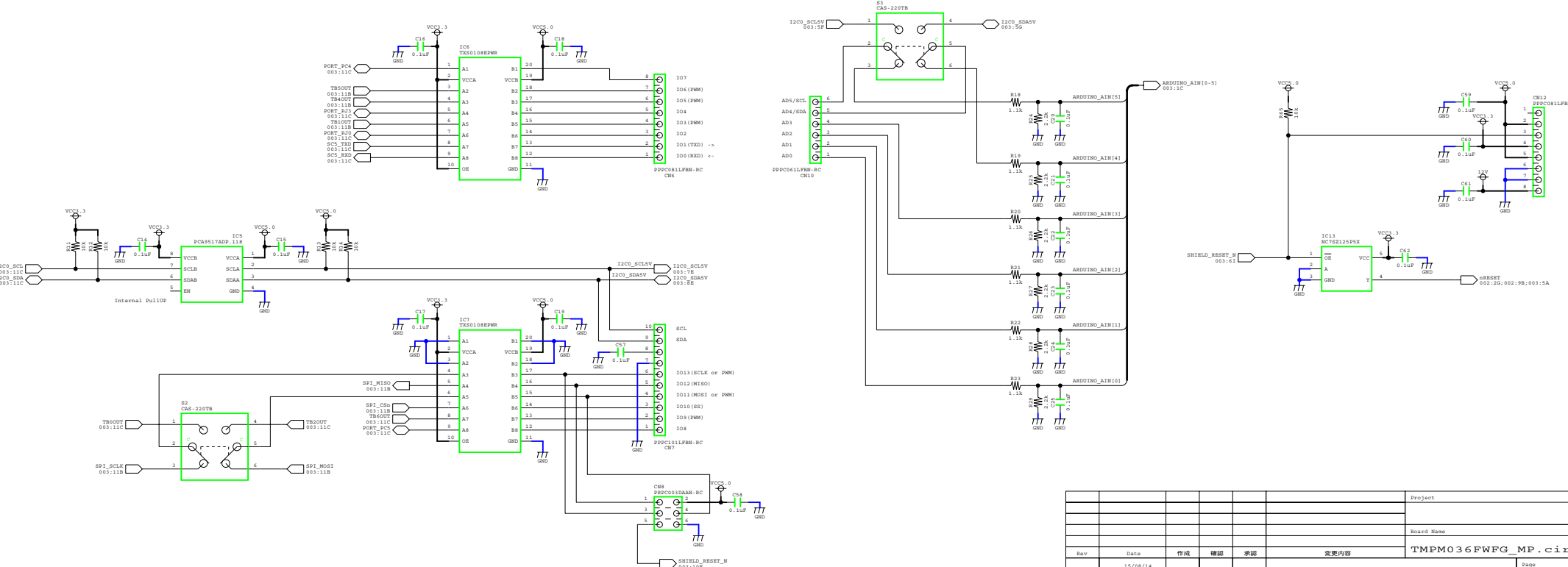
| | | | | | | |
|-----|----------|-------------|----|----|------|------------------------|
| | | | | | | Project |
| | | | | | | Board Name |
| | | | | | | TMPM036FWFG_MP.cir/002 |
| Rev | Date | 作成 | 確認 | 承認 | 変更内容 | Page |
| | 15/08/14 | S.Yanaguchi | | | | Page 2 of 5 |
| | | | | | | 15/07/25 |

03. PIN HEADER / Arduino CN

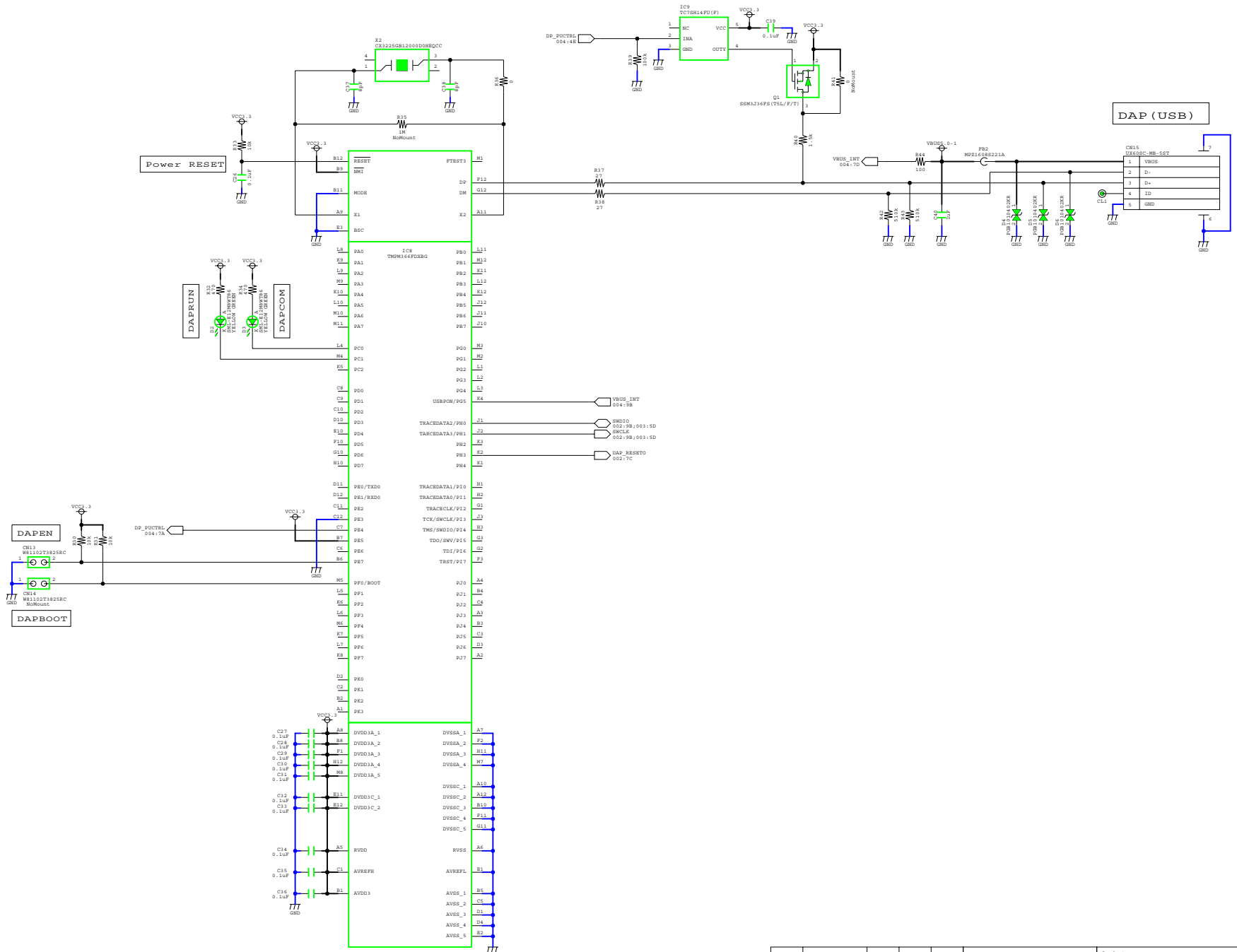


PA[0:7]はバスでGNDカード
 PORT_AIN[0:1]はそれぞれGNDカード
 ARDUINO_AIN[0:5]はそれぞれGNDカード

PB[0], PB[1]はGNDカード
 SWCLK, SWDIOはGNDカード



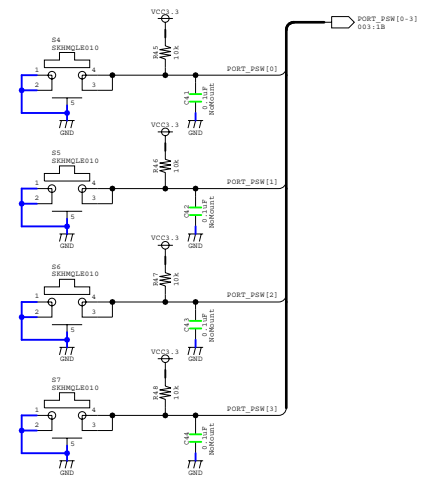
| | | | | | |
|-----|----------|-------------|----|------------------------|-------------|
| | | | | Project | |
| | | | | Board Name | |
| | | | | TMPM036FWFG_MP.cir/003 | |
| Rev | Date | 作成 | 確認 | 承認 | 変更内容 |
| | 15/08/14 | | | | |
| | 17/07/25 | | | | |
| | | S.Yanaguchi | | | |
| | | | | Page | Page 3 of 5 |



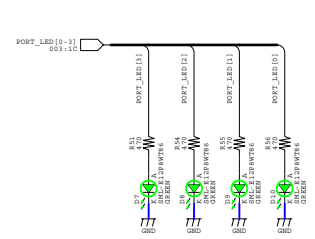
| | | | | | | |
|-----|----------|-------------|----|----|------|------------------------|
| | | | | | | Project |
| | | | | | | Board Name |
| | | | | | | TMPM036FWFG_MP.cir/004 |
| Rev | Date | 作成 | 確認 | 承認 | 変更内容 | Page |
| | 15/08/14 | | | | | 4 of 5 |
| | 17/07/24 | S.Yanaguchi | | | | |

05. USER IO

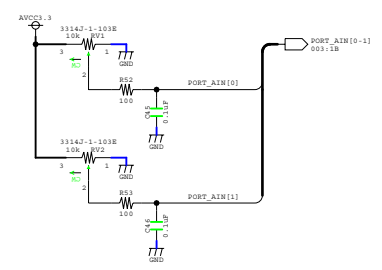
PORT PushSW



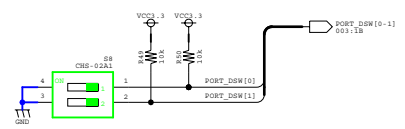
PORT LED



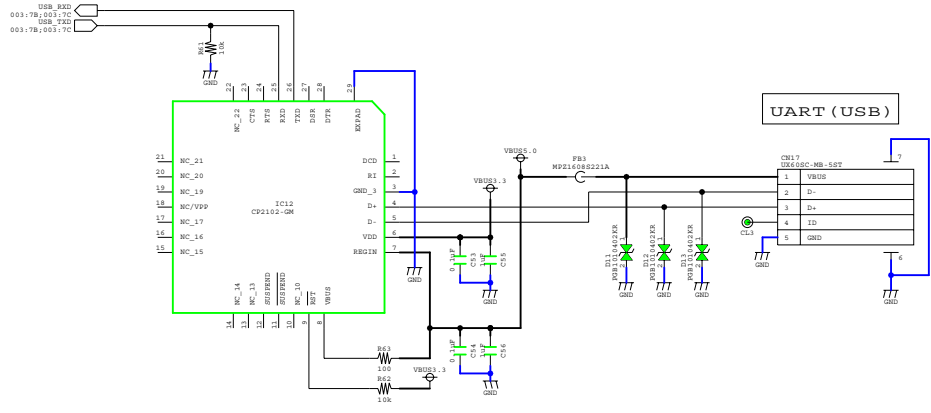
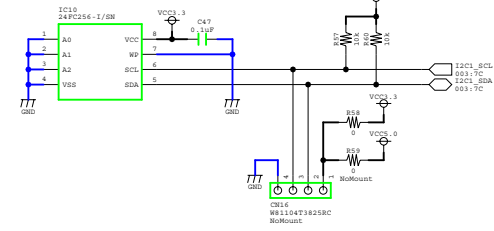
AIN



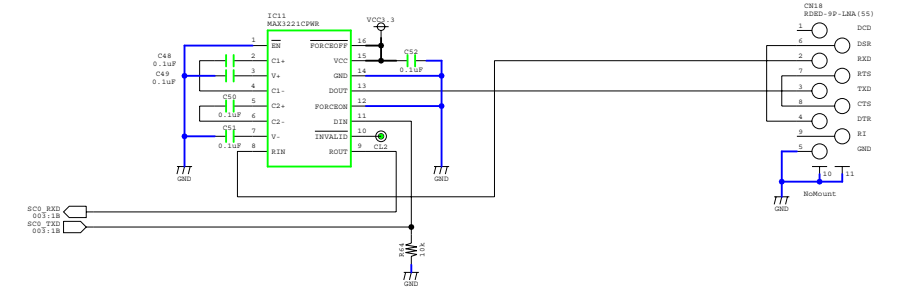
PORT DipSW



EEPROM



UART (D-Sub)



| | | | | | | |
|-----|----------|-------------|----|----|------|----------------------|
| | | | | | | Project |
| | | | | | | Board Name |
| | | | | | | TMPM036FWFG_MP.cir / |
| Rev | Date | 作成 | 確認 | 承認 | 変更内容 | Page |
| | 15/08/14 | | | | | 5 of 5 |
| | | S.Yanaguchi | | | | |