

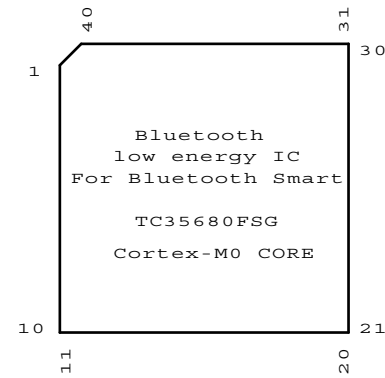
SAPPHIRE-680FSG

TC35680FSG Evaluation Board Schematics

01. THIS SHEET
02. BLE TC35680FSG(QFN40)
03. SWD CN / Boot Mode Select / Interrupt
04. CMSIS-DAP / USB to UART / USER Debug IO

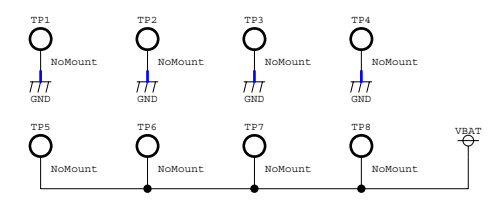
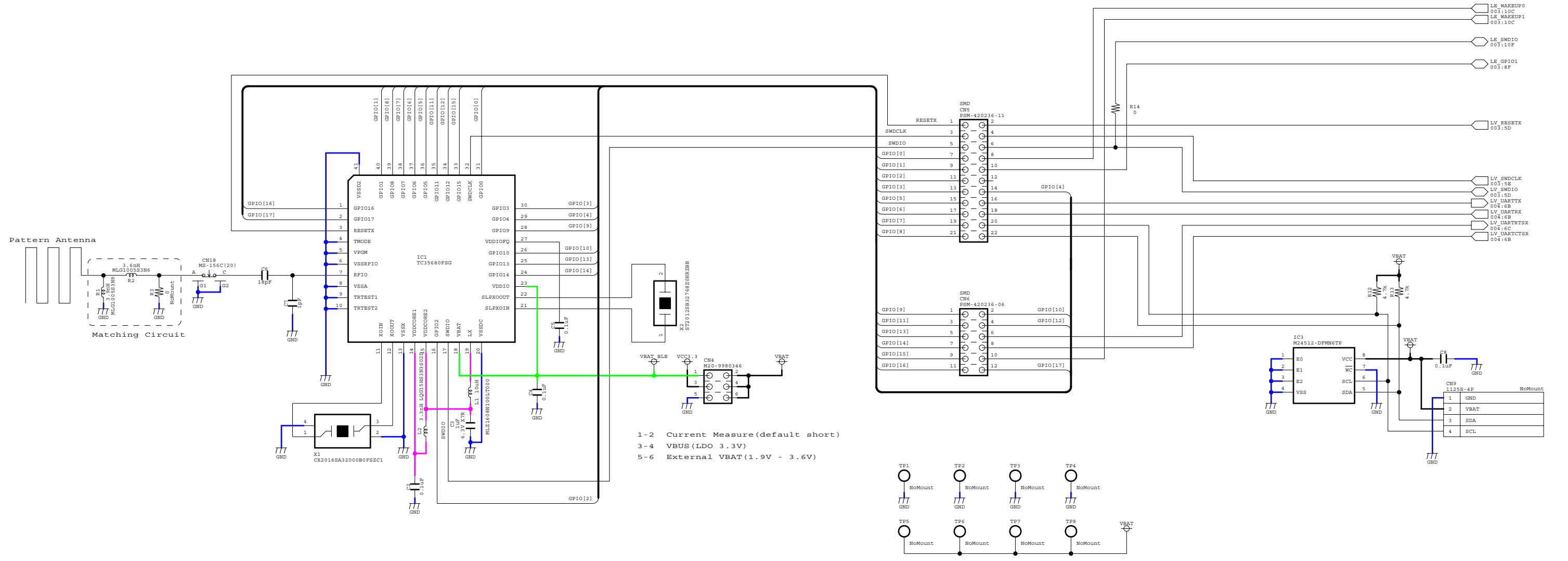
TC35680FSG Pin Assign

1	GPIO16	21	SLPX0IN
2	GPIO17	22	SLPX0OUT
3	RESETX	23	VDDIO
4	TMODE	24	GPIO14
5	VPGM	25	GPIO13
6	VSSRFIO	26	GPIO10
7	RFIO	27	VDDIOFQ
8	VSSA	28	GPIO9
9	TRTEST1	29	GPIO4
10	TRTEST2	30	GPIO3
11	XOIN	31	GPIO0
12	XOOUT	32	SWDCLK
13	VSSX	33	GPIO15
14	VDDCORE1	34	GPIO12
15	VDDCORE2	35	GPIO11
16	GPIO2	36	GPIO5
17	SWDIO	37	GPIO6
18	VBAT	38	GPIO7
19	LX	39	GPIO8
20	VSSDC	40	GPIO1
		FIN	VSSD2



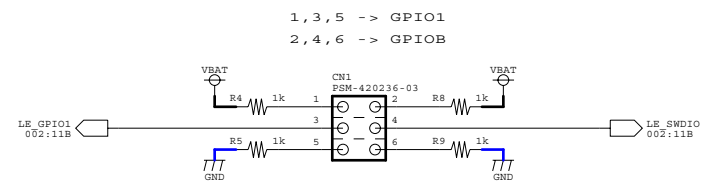
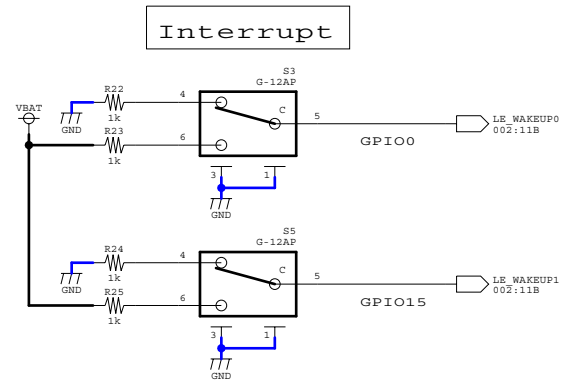
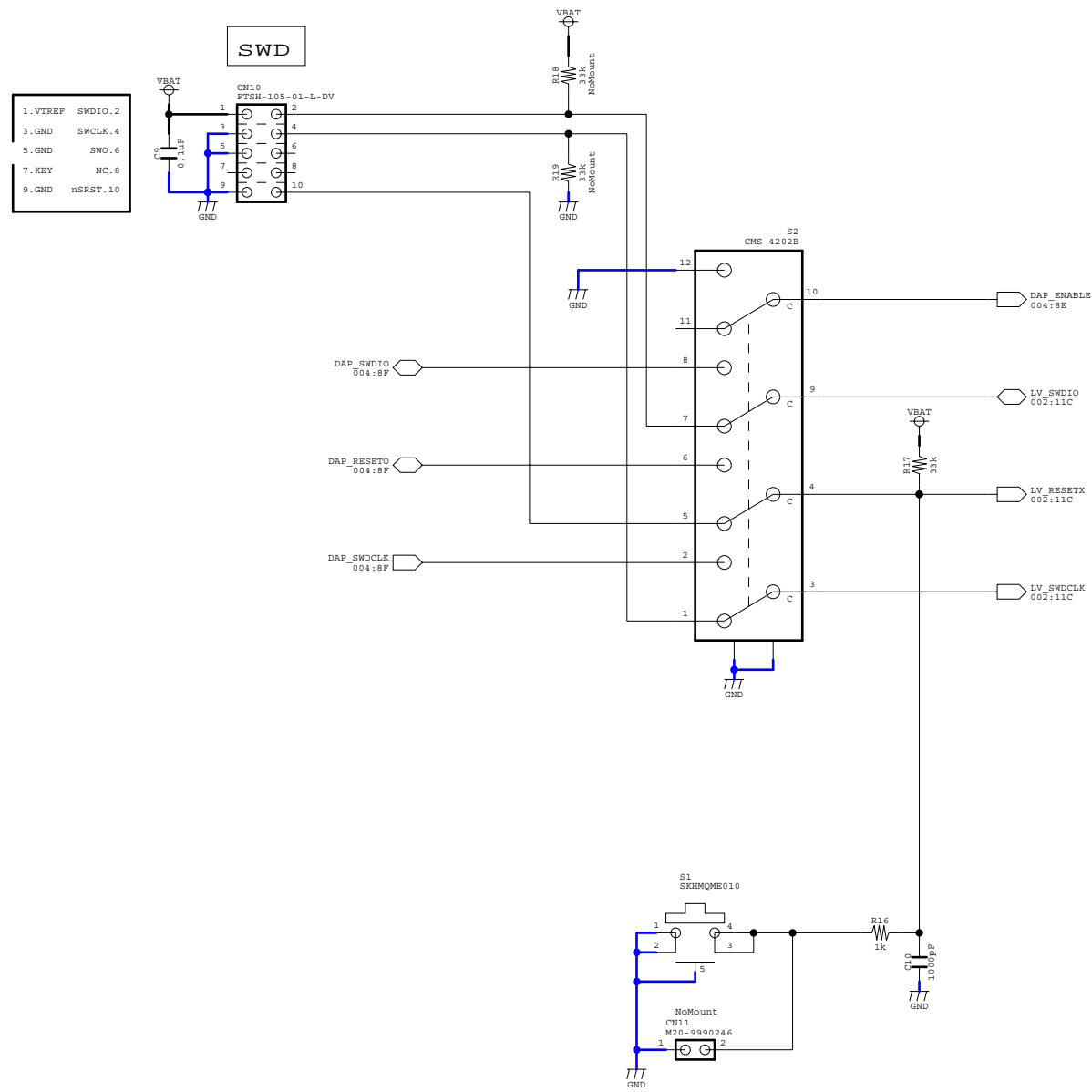
Rev	Date	作成	確認	承認	変更内容	Project
	18/05/24 09:41:38 yamada					SAPPHIRE-680FSG_Rev04
						Page Page 1 of 4

02. BLE TC35680FSG (QFN40)



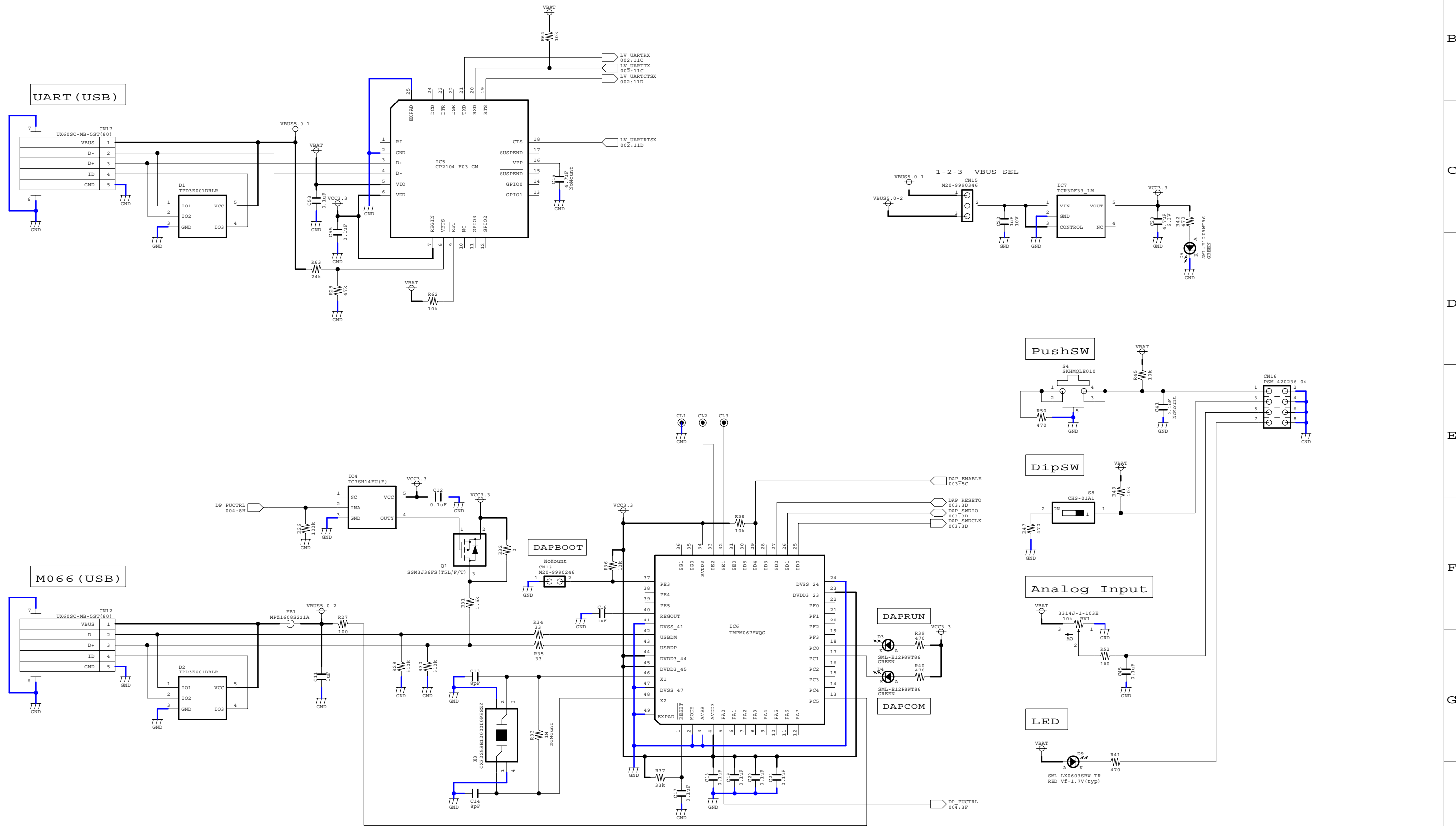
							Project
							Board Name
							SAPPHIRE-680FSG_Rev04
Rev	Date	作成	確認	承認	変更内容		
	18/05/24 09:41:38 yamada						
							Page Page 2 of 4

03. SWD CN / Boot Mode Select / Interrupt



							Project
							Board Name
							SAPPHIRE-680FSG_Rev04
Rev	Date	作成	確認	承認	変更内容		
	18/05/24 09:41:38 yamada						
							Page Page 3 of 4

04. CMSIS-DAP / USB to UART / USER Debug IO



						Project
						Board Name
						SAPPHIRE-680FSG_Rev
Rev	Date	作成	確認	承認	変更内容	
	18/05/24 09:41:38 yamada					Page Page 4 of 4