

SAPPHIRE-679FSG (FCCID:2AKW4-678FSG)

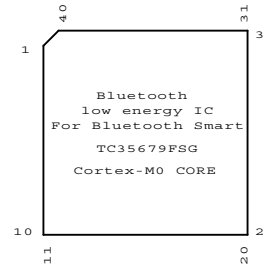
TC35679FSG Evaluation Board Schematics

- 01. THIS SHEET
- 02. BLE TC35679FSG(QFN40)
- 03. SWD CN / Boot Mode Select / Interrupt
- 04. CMSIS-DAP / USB to UART / USER Debug IO

TC35679FSG
Pin Assign

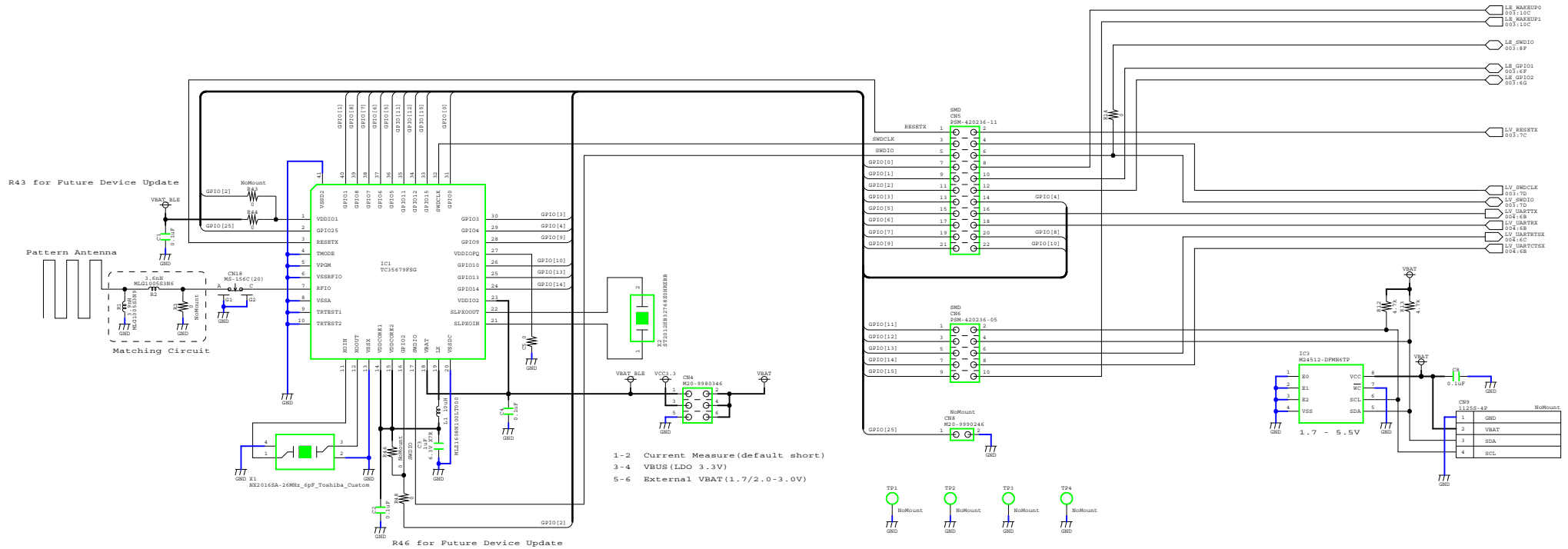
1	VDDIO1	21	SLPXOIN
2	GPIO25	22	SLPXOOOUT
3	RESETX	23	VDDIO2
4	TMODE	24	GPIO14
5	VPGM	25	GPIO13
6	VSSRFIO	26	GPIO10
7	RFIO	27	VDDIOFQ
8	VSSA	28	GPIO9
9	TRTEST1	29	GPIO4
10	TRTEST2	30	GPIO3
11	XOIN	31	GPIO0
12	XOOUT	32	SWDCLK
13	VSSX	33	GPIO15
14	VDDCORE1	34	GPIO12
15	VDDCORE2	35	GPIO11
16	GPIO2	36	GPIO5
17	SWDIO	37	GPIO6
18	VBAT	38	GPIO7
19	LX	39	GPIO8
20	VSSDC	40	GPIO1

FIN VSSD2



						Project
						Board Name
						SAPPHIRE-679FSG_RevB
Rev	Date	作成	確認	承認	変更内容	Page
	17/06/16 21:39:31 Yamaguchi					Page 1 of 4

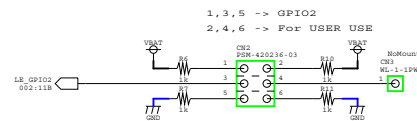
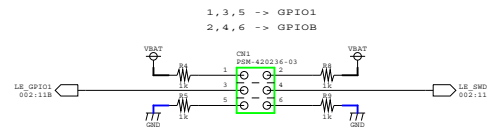
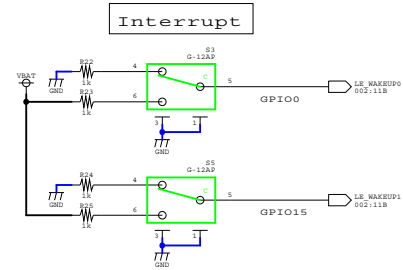
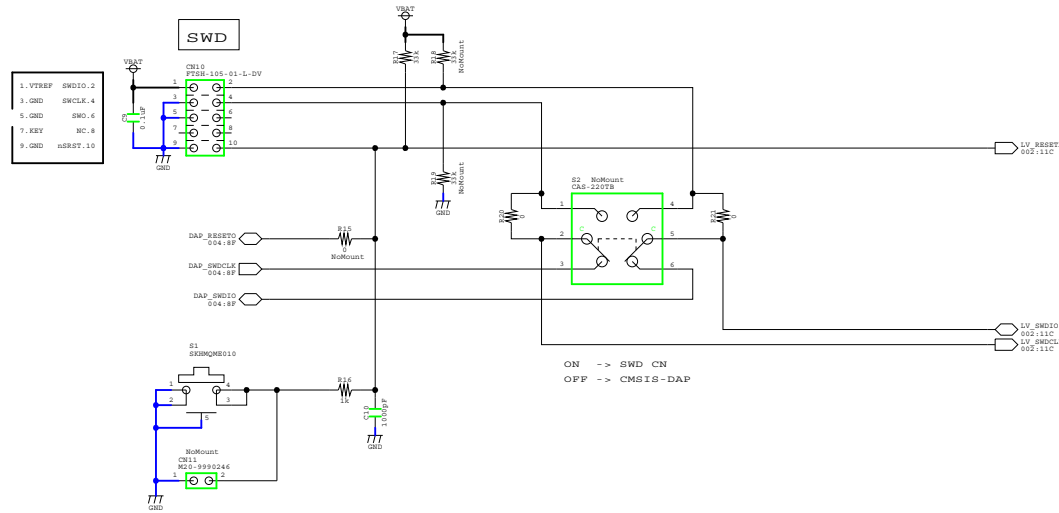
02. BLE TC35679FSG (QFN40)



- 1-2 Current Measure(default short)
- 3-4 VBUS (LDO 3.3V)
- 5-6 External VBAT (1.7/2.0-3.0V)

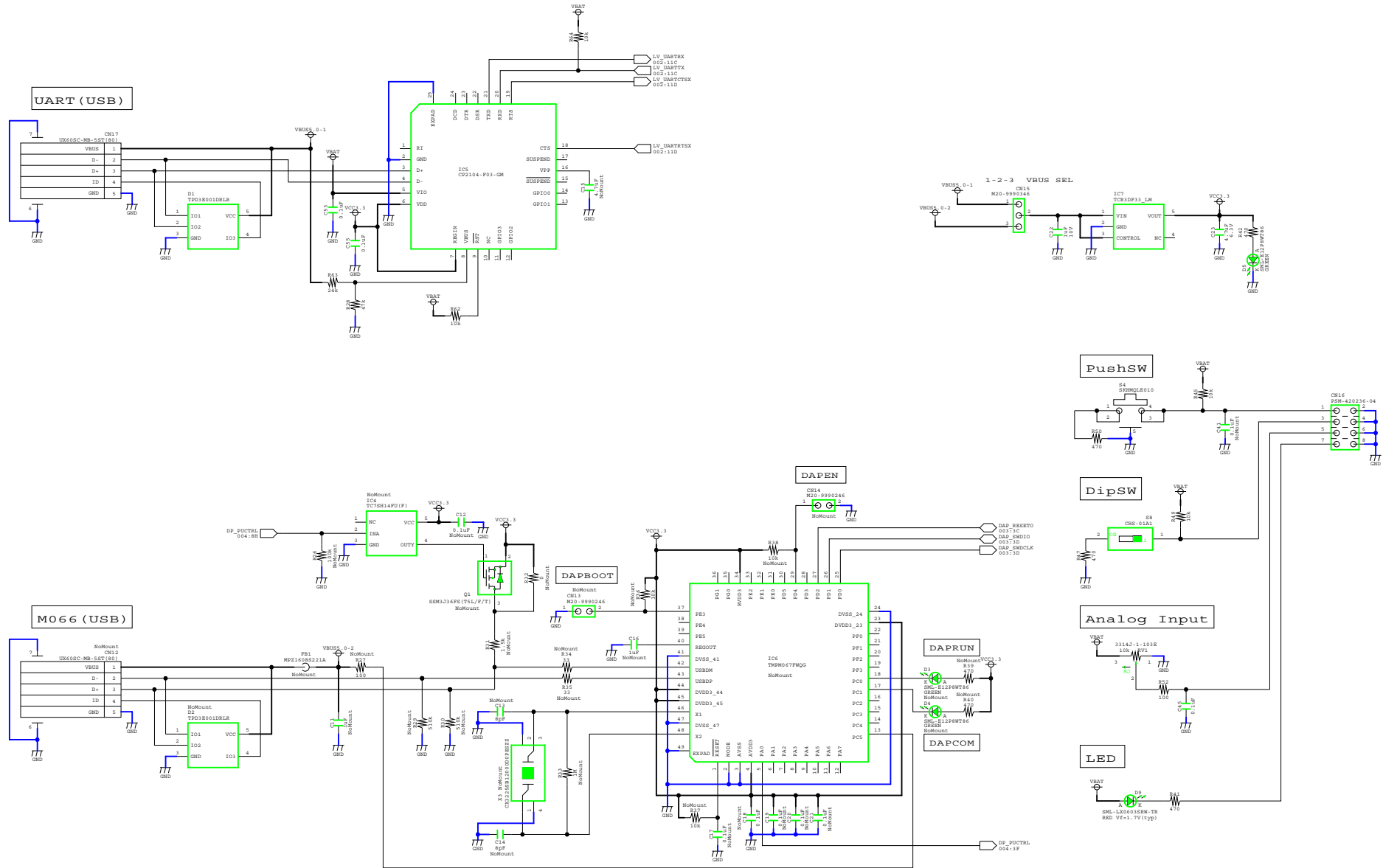
							Project
							Board Name
							SAPPHIRE-679FSG_RevB
Rev	Date	作成	確認	承認	変更内容		Page
	17/06/16						Page 2 of 4
	21/09/15	Yamaguchi					

03. SWD CN / Boot Mode Select / Interrupt



						Project
						Board Name
						SAPPHIRE-679FSG_RevB
Rev	Date	作成	確認	承認	変更内容	Page
	17/06/16 21:39:33	Yamaguchi				Page 3 of 4

04. CMSIS-DAP / USB to UART / USER Debug IO



							Project
							Board Name
							SAPPHIRE-679FSG_Rev1
Rev	Date	作成	確認	承認	変更内容		
	17/06/16						
	21/09/23	Yamaguchi					
							Page
							Page 4 of 4