

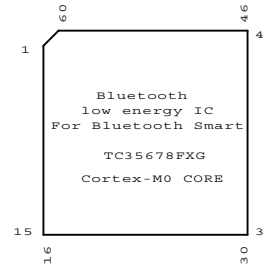
SAPPHIRE-678FXG (FCCID:2AKW4-678FXG)

TC35678FXG Evaluation Board Schematics

- 01. THIS SHEET
- 02. BLE TC35678FXG(QFN60)
- 03. SWD CN / Boot Mode Select / Interrupt
- 04. CMSIS-DAP / USB to UART / USER Debug IO

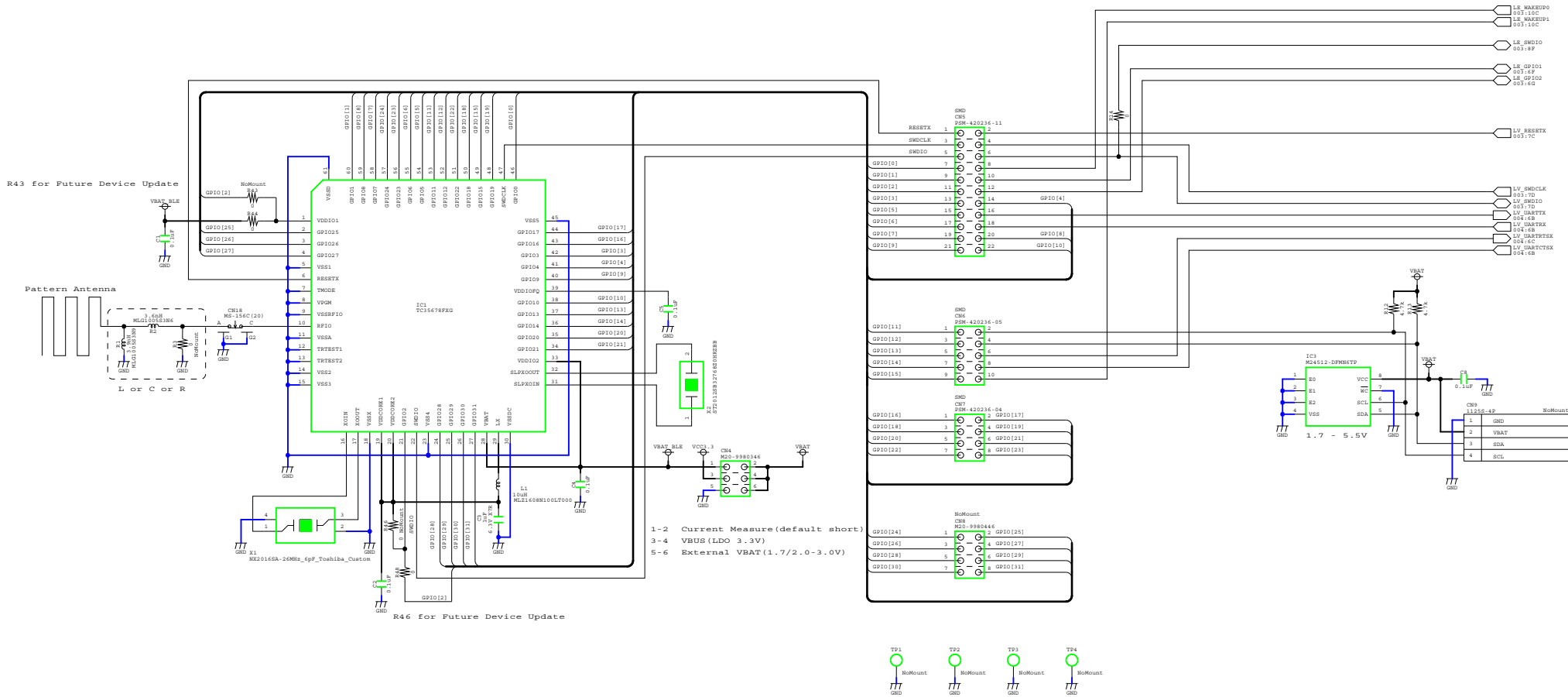
TC35678FXG
Pin Assign

1	VDDIO1	31	SLPXOIN
2	GPIO25	32	SLPXOOUT
3	GPIO26	33	VDDIO2
4	GPIO27	34	GPIO21
5	VSS1	35	GPIO20
6	RESETX	36	GPIO14
7	TMODE	37	GPIO13
8	VPGM	38	GPIO10
9	VSSRFIO	39	VDDIOFQ
10	RFIO	40	GPIO9
11	VSSA	41	GPIO4
12	TRTEST1	42	GPIO3
13	TRTEST2	43	GPIO16
14	VSS2	44	GPIO17
15	VSS3	45	VSS5
16	XOIN	46	GPIO0
17	XOOUT	47	SWDCLK
18	VSSX	48	GPIO19
19	VDDCORE1	49	GPIO15
20	VDDCORE2	50	GPIO18
21	GPIO2	51	GPIO22
22	SWDIO	52	GPIO12
23	VSS4	53	GPIO11
24	GPIO28	54	GPIO5
25	GPIO29	55	GPIO6
26	GPIO30	56	GPIO23
27	GPIO31	57	GPIO24
28	VBAT	58	GPIO7
29	LX	59	GPIO8
30	VSSDC	60	GPIO1



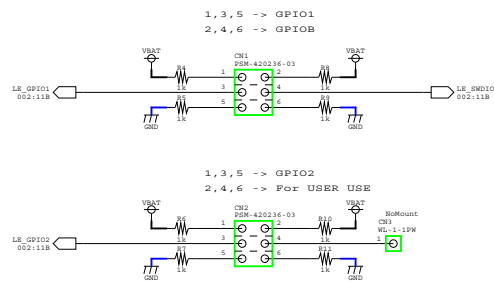
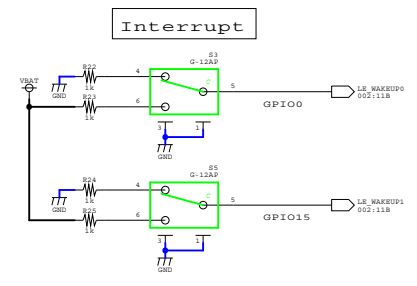
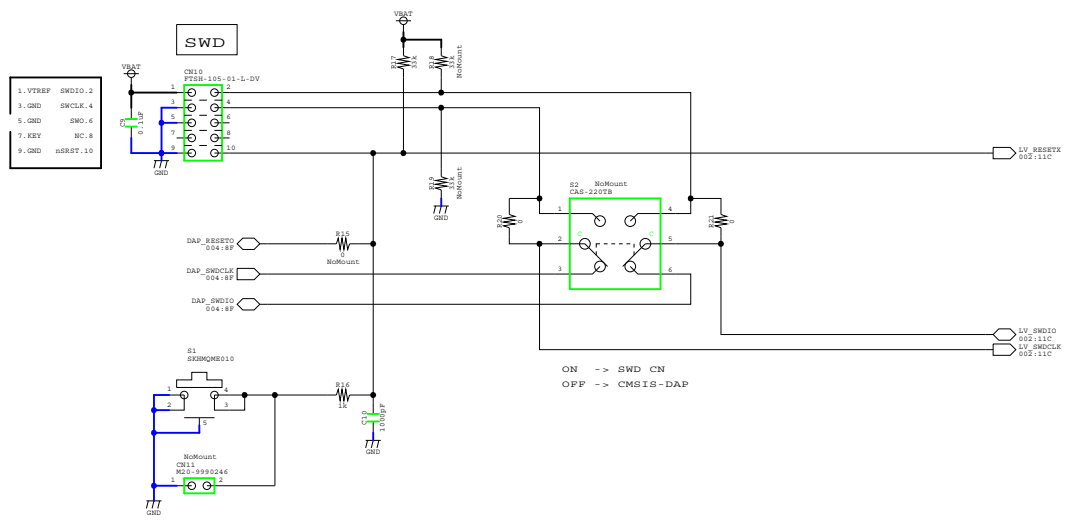
						Project
						Board Name
						SAPPHIRE-678FXG.cir/0
Rev	Date	作成	確認	承認	変更内容	
	17/01/31 2016/01/31 Yamaguchi					
					Page Page 1 of 4	

02. BLE TC35678FXG (QFN60)



							Project
							Board Name
							SAPPHIRE-678FXG.cir/0
Rev	Date	作成	確認	承認	変更内容		
	17/01/31	Yamaguchi					
							Page
							Page 4 of 4

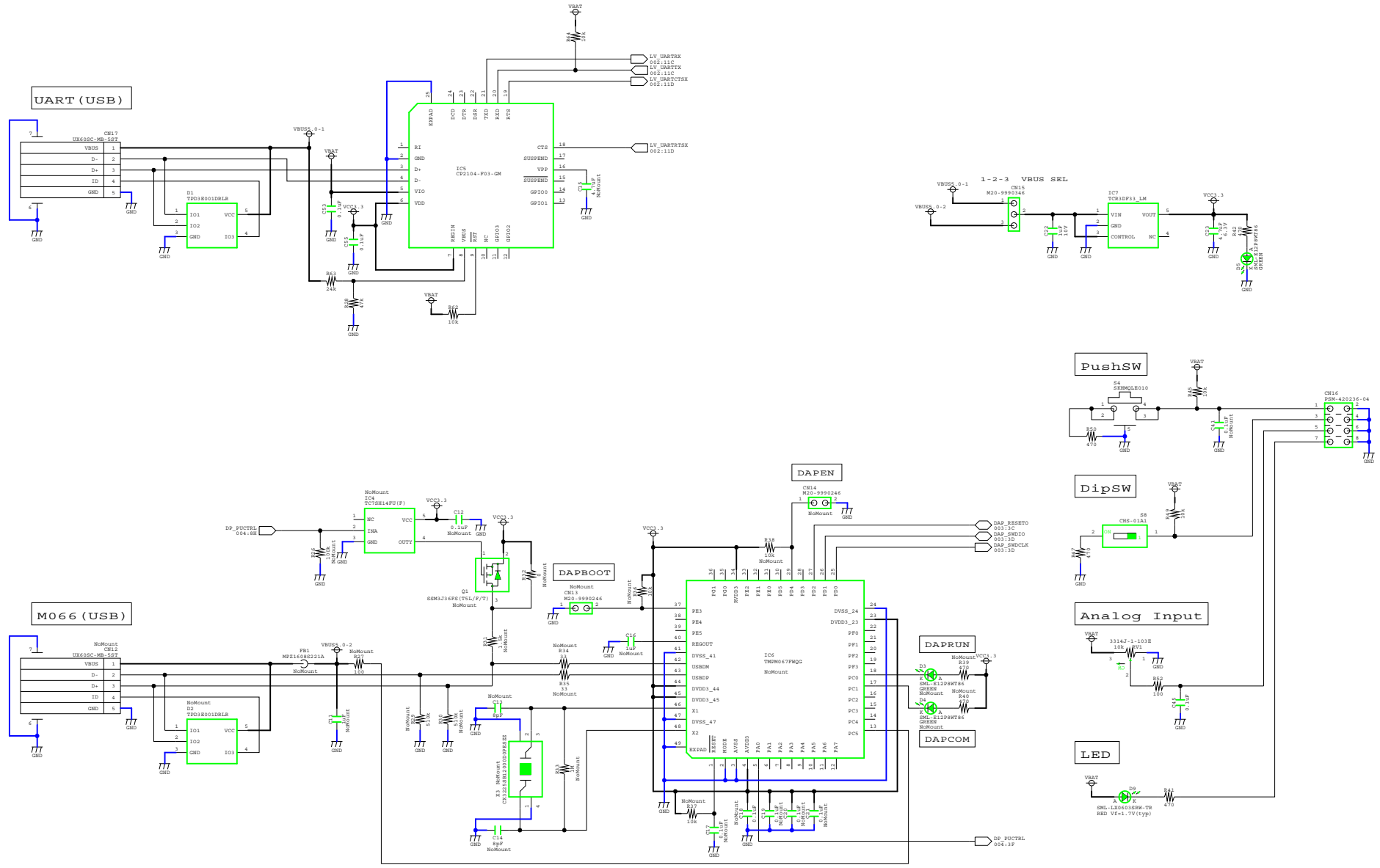
03. SWD CN / Boot Mode Select / Interrupt



						Project
						Board Name
						SAPPHIRE-678FXG.cir/0
Rev	Date	作成	確認	承認	変更内容	Page
	17/01/31	Yamaguchi				Page 2 of 4

04. CMSIS-DAP / USB to UART / USER Debug IO

Confidential



							Project
							Board Name
							SAPPHIRE-678FXG.cir
Rev	Date	作成	確認	承認	変更内容		
	17/01/31	Yamaguchi					
							Page
							Page 3 of 4