

# TMP89FW24 Evaluation Board

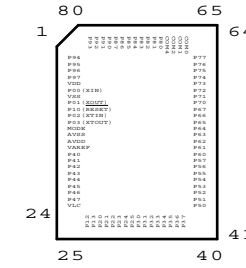
- 01. THIS SHEET
- 02. MCU TMP89FW24 / PIN HEADER
- 03. USER IO
- 04. LCD

CN201

AR_UT_TX	1	2	P83
AR_UT_RX	3	4	P84
AR_IO2	5	6	P82
AR_IO3_PWM	7	8	P94
AR_IO4	9	10	P93
AR_IO5_PWM	11	12	P95
AR_IO6_PWM	13	14	P96
AR_IO7	15	16	P92
AR_IO8	17	18	P91
AR_IO9_PWM	19	20	P97
AR_IO10_CS	21	22	P90
AR_IO11_MOSI	23	24	P85
AR_IO12_MISO	25	26	P86
AR_IO13_SCLK	27	28	P87
AR_SDA	29	30	P80
AR_SCL	31	32	P81

CN202

VCC5.0	1	2	MODE
USB_UT_TX	3	4	P20
USB_UT_RX	5	6	P21
LED-0	7	8	P12
LED-1	9	10	P13
LED-2	11	12	P46
LED-3	13	14	P47
SW-0	15	16	P23
SW-1	17	18	P24
SW-2	19	20	P25
SW-3	21	22	P22
VR-0	23	24	P47
OCDCK	25	26	P20
OCDIO	27	28	P21



CN203

COM3	1	2	COM2
COM1	3	4	COM0
P77	5	6	P76
P75	7	8	P74
P73	9	10	P72
P71	11	12	P70
P67	13	14	P66
P65	15	16	P64
P63	17	18	P62
P61	19	20	P60
P57	21	22	P56
P55	23	24	P54
P53	25	26	P52
P51	27	28	P50
P37	29	30	P36
P35	31	32	P34

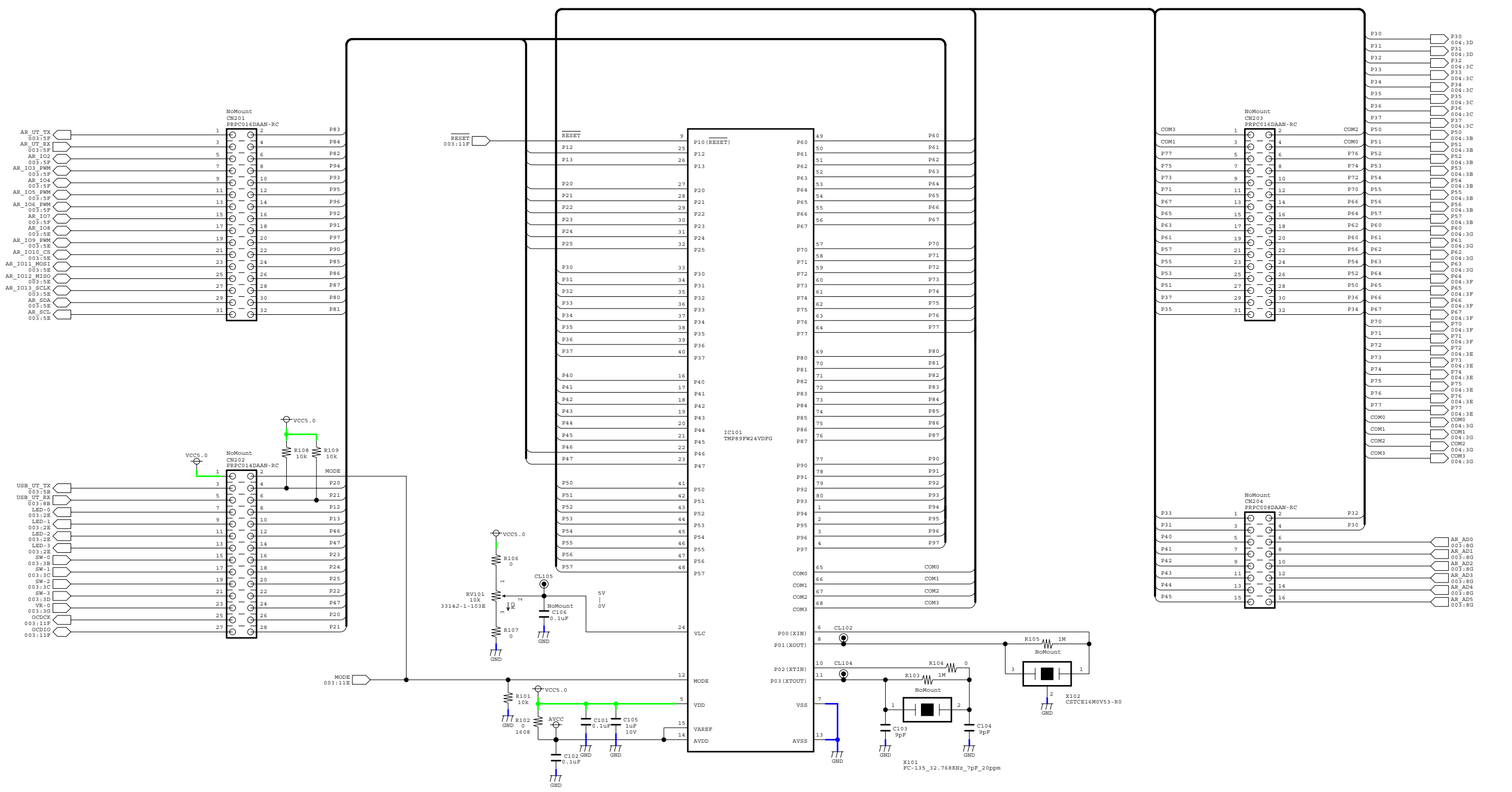
CN204

P33	1	2	P32
P31	3	4	P30
P40	5	6	AR_AD0
P41	7	8	AR_AD1
P42	9	10	AR_AD2
P43	11	12	AR_AD3
P44	13	14	AR_AD4
P45	15	16	AR_AD5

P00	16M CERAMOCK	16M CERAMOCK	32k X'TAL	32k X'TAL	-	-	-	-
P10	RESET	-	LED-0	LED-1	-	-	-	-
P20	OCDCK USB_UT_TX	OCDIO USB_UT_RX	SW-3	SW-0	SW-1	SW-2	-	-
P30	LCD1	LCD2	LCD3	LCD4	LCD36	LCD35	LCD34	LCD33
P40	AR_AD0	AR_AD1	AR_AD2	AR_AD3	AR_AD4	AR_AD5	LED-2	VR-0 LED-3
P50	LCD32	LCD31	LCD30	LCD29	LCD28	LCD27	LCD26	LCD25
P60	LCD5	LCD6	LCD7	LCD8	LCD9	LCD10	LCD11	LCD12
P70	LCD24	LCD23	LCD22	LCD21	LCD13	LCD14	LCD15	LCD16
P80	AR_SDA	AR_SCL	AR_IO2	AR_UT_TX	AR_UT_RX	AR_IO11_MOSI	AR_IO12_MISO	AR_IO13_SCLK
P90	AR_IO10_CS	AR_IO8	AR_IO7	AR_IO4	AR_IO3_PWM	AR_IO5_PWM	AR_IO6_PWM	AR_IO9_PWM

Project					
Board Name					
TMP89FW24_rev06.cir					
Rev	Date	作成	確認	承認	変更内容
	19/07/23 15:15:02 yamada				
					Page Page 1 of 4

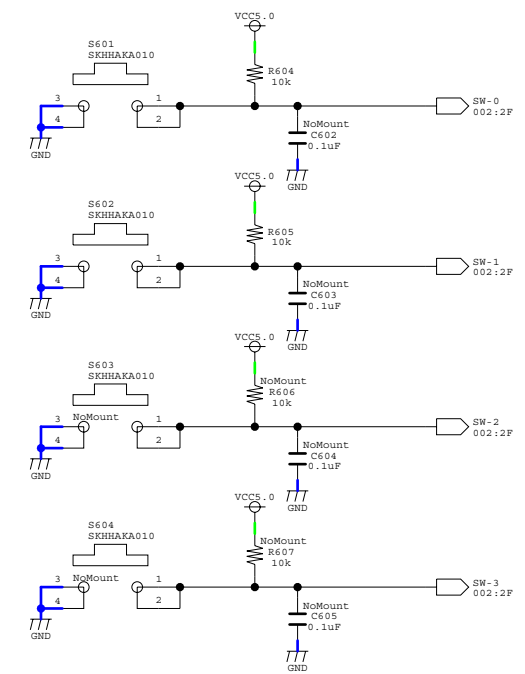
02. MCU TMP89FW24 / PIN HEADER



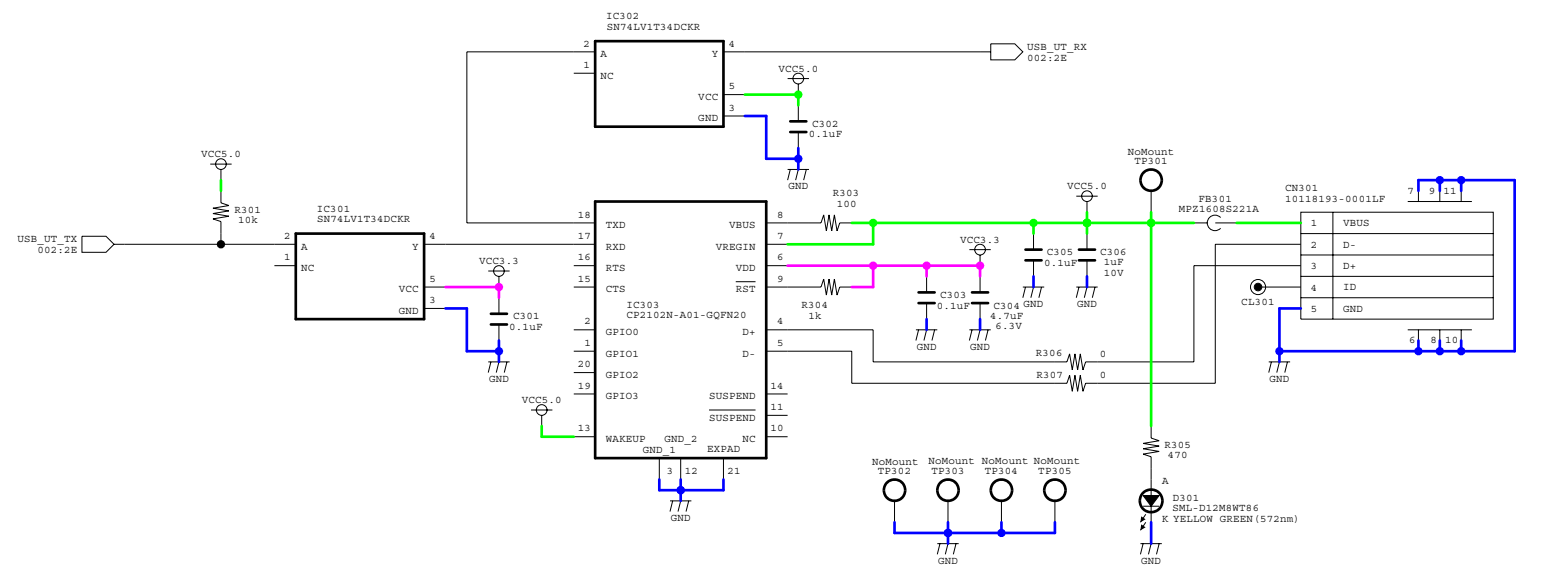
						Project
						Board Name
						TMP89FW24_rev06.cir
Rev	Date	作成	確認	承認	変更内容	
	19/07/23 15:15:02 yamada					Page Page 2 of 4

### 03. USER IO

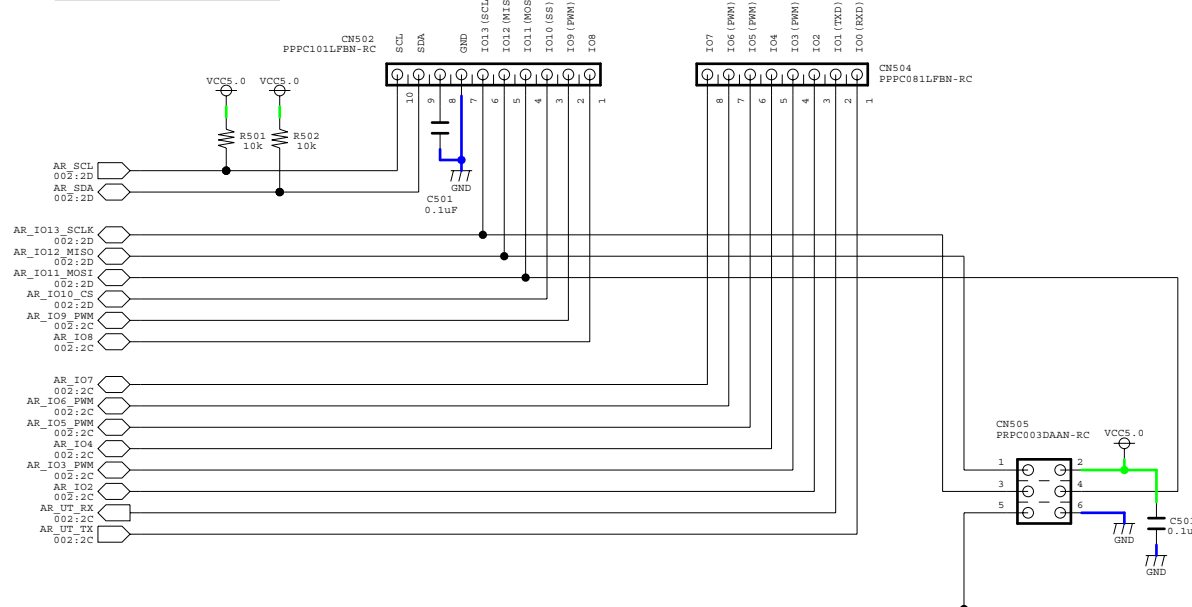
#### PushSW



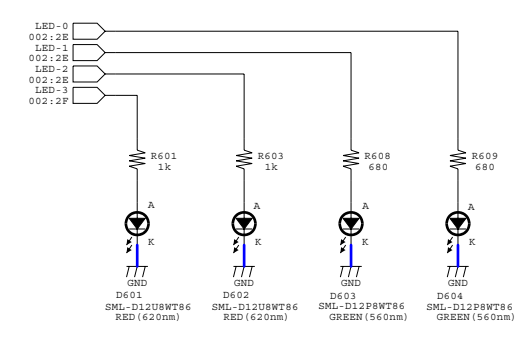
#### USB-UART (Power)



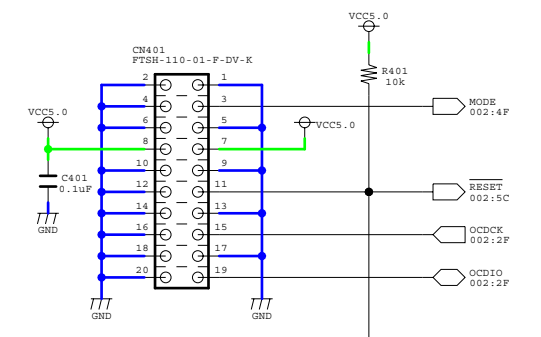
#### ARDUINO CN



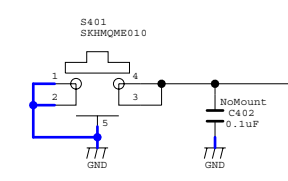
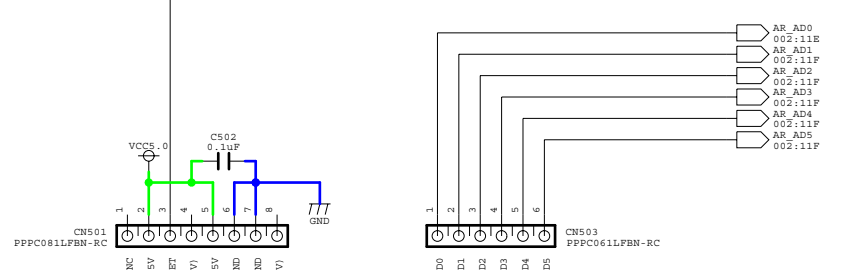
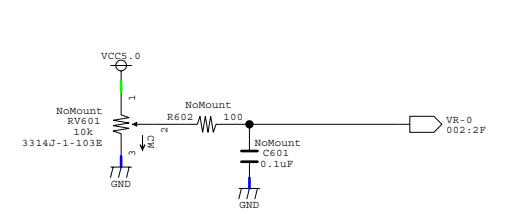
#### PORT LED



#### DEBUG CN

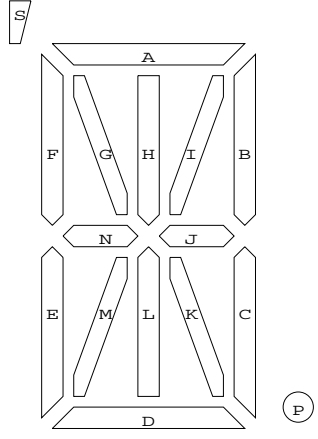
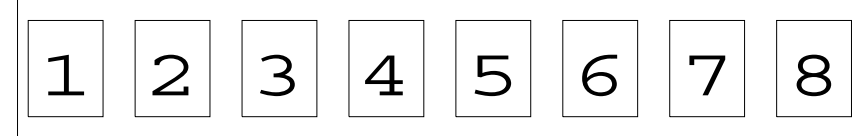
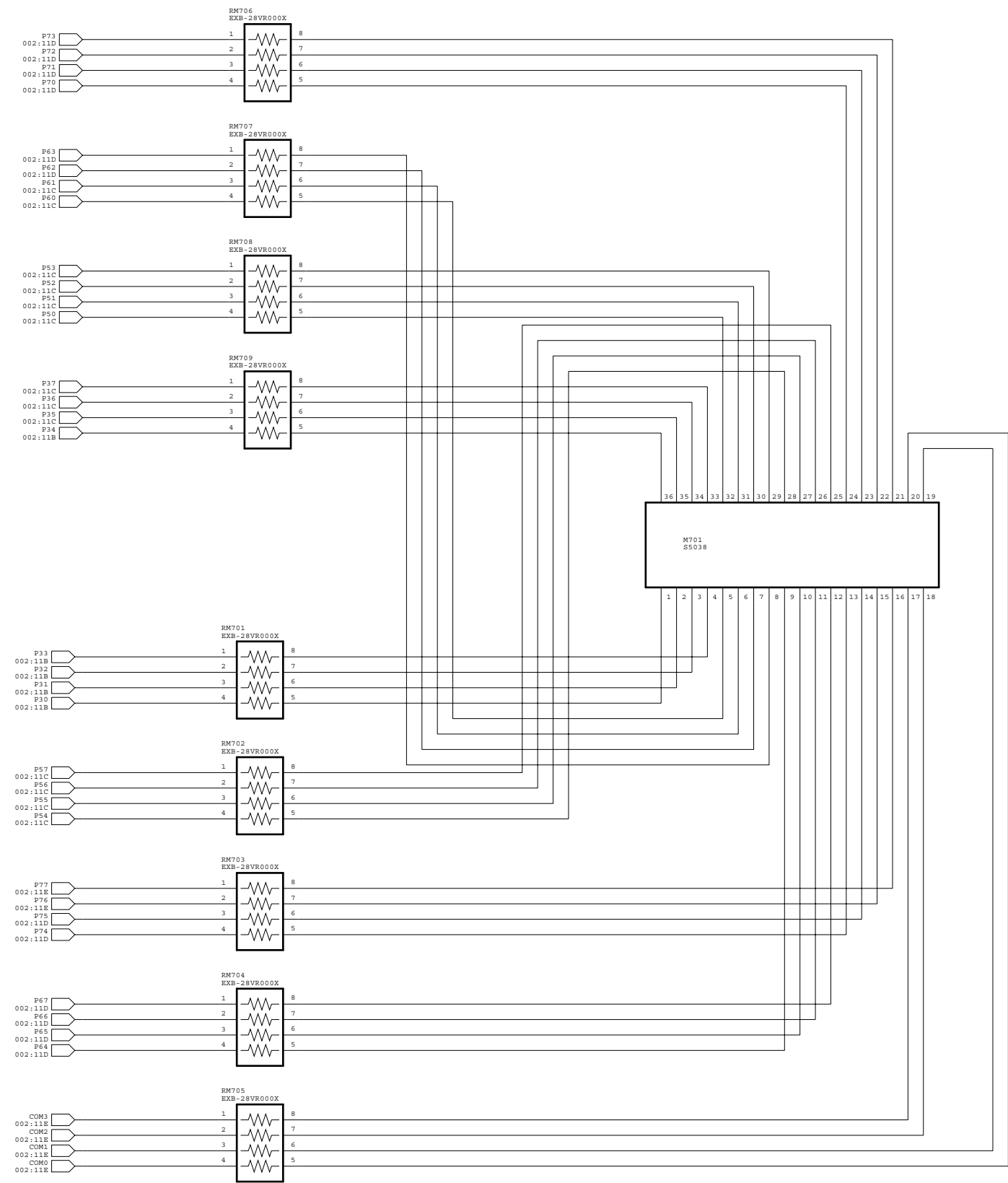


#### AIN



						Project	
						Board Name	
						TMP89FW24_rev06.cir	
Rev	Date	作成	確認	承認	変更内容		
	19/07/23 15:15:02	yamada					
						Page	Page 3 of 4

04. LCD



	A	B	C	D	E	F	G	H	I	J	K	L	M	N	P	S
1	P35 COM0	P35 COM1	P35 COM2	P30 COM3	P30 COM2	P30 COM1	P34 COM0	P31 COM0	P31 COM1	P31 COM2	P31 COM3	P34 COM3	P34 COM2	P34 COM1	P35 COM3	P30 COM0
2	P37 COM0	P37 COM1	P37 COM2	P32 COM3	P32 COM2	P32 COM1	P36 COM0	P33 COM0	P33 COM1	P33 COM2	P33 COM3	P36 COM3	P36 COM2	P36 COM1	P37 COM3	P32 COM0
3	P51 COM0	P51 COM1	P51 COM2	P60 COM3	P60 COM2	P60 COM1	P50 COM0	P61 COM0	P61 COM1	P61 COM2	P61 COM3	P50 COM3	P50 COM2	P50 COM1	P51 COM3	P60 COM0
4	P53 COM0	P53 COM1	P53 COM2	P62 COM3	P62 COM2	P62 COM1	P52 COM0	P63 COM0	P63 COM1	P63 COM2	P63 COM3	P52 COM3	P52 COM2	P52 COM1	P53 COM3	P62 COM0
5	P55 COM0	P55 COM1	P55 COM2	P64 COM3	P64 COM2	P64 COM1	P54 COM0	P65 COM0	P65 COM1	P65 COM2	P65 COM3	P54 COM3	P54 COM2	P54 COM1	P55 COM3	P64 COM0
6	P57 COM0	P57 COM1	P57 COM2	P66 COM3	P66 COM2	P66 COM1	P56 COM0	P67 COM0	P67 COM1	P67 COM2	P67 COM3	P56 COM3	P56 COM2	P56 COM1	P57 COM3	P66 COM0
7	P71 COM0	P71 COM1	P71 COM2	P74 COM3	P74 COM2	P74 COM1	P70 COM0	P75 COM0	P75 COM1	P75 COM2	P75 COM3	P70 COM3	P70 COM2	P70 COM1	P71 COM3	P74 COM0
8	P73 COM0	P73 COM1	P73 COM2	P76 COM3	P76 COM2	P76 COM1	P72 COM0	P77 COM0	P77 COM1	P77 COM2	P77 COM3	P72 COM3	P72 COM2	P72 COM1	P73 COM3	P76 COM0

						Project
						Board Name
Rev	Date	作成	確認	承認	変更内容	TMP89FW24_rev06.cir
	19/07/23 15:15:02 yamada					Page Page 4 of 4