

TMP89FM42 Evaluation Board

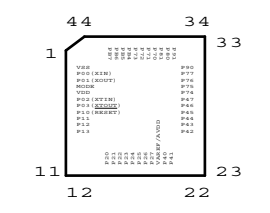
- 01. THIS SHEET
- 02. MCU TMP89FM42 / PIN HEADER
- 03. USER IO

CN201

AR_UT_TX	1	2	P90
AR_UT_RX	3	4	P91
AR_IO2	5	6	P73
AR_IO3_PWM	7	8	P70
AR_IO4	9	10	P75
AR_IO5_PWM	11	12	P71
AR_IO6_PWM	13	14	P80
AR_IO7	15	16	P76
AR_IO8	17	18	P77
AR_IO9_PWM	19	20	P81
AR_IO10_CS	21	22	P72
AR_IO11_MOSI	23	24	P84
AR_IO12_MISO	25	26	P85
AR_IO13_SCLK	27	28	P86
AR_SDA	29	30	P23
AR_SCL	31	32	P24

CN202

VCC5.0	1	2	MODE
USB_UT_TX	3	4	P20
USB_UT_RX	5	6	P21
LED-0	7	8	P25
LED-1	9	10	P26
LED-2	11	12	P27
LED-3	13	14	P11
SW-0	15	16	P12
SW-1	17	18	P13
SW-2	19	20	P74
SW-3	21	22	PB7
VR-0	23	24	P47
OCDCK	25	26	P20
OCDIO	27	28	P21



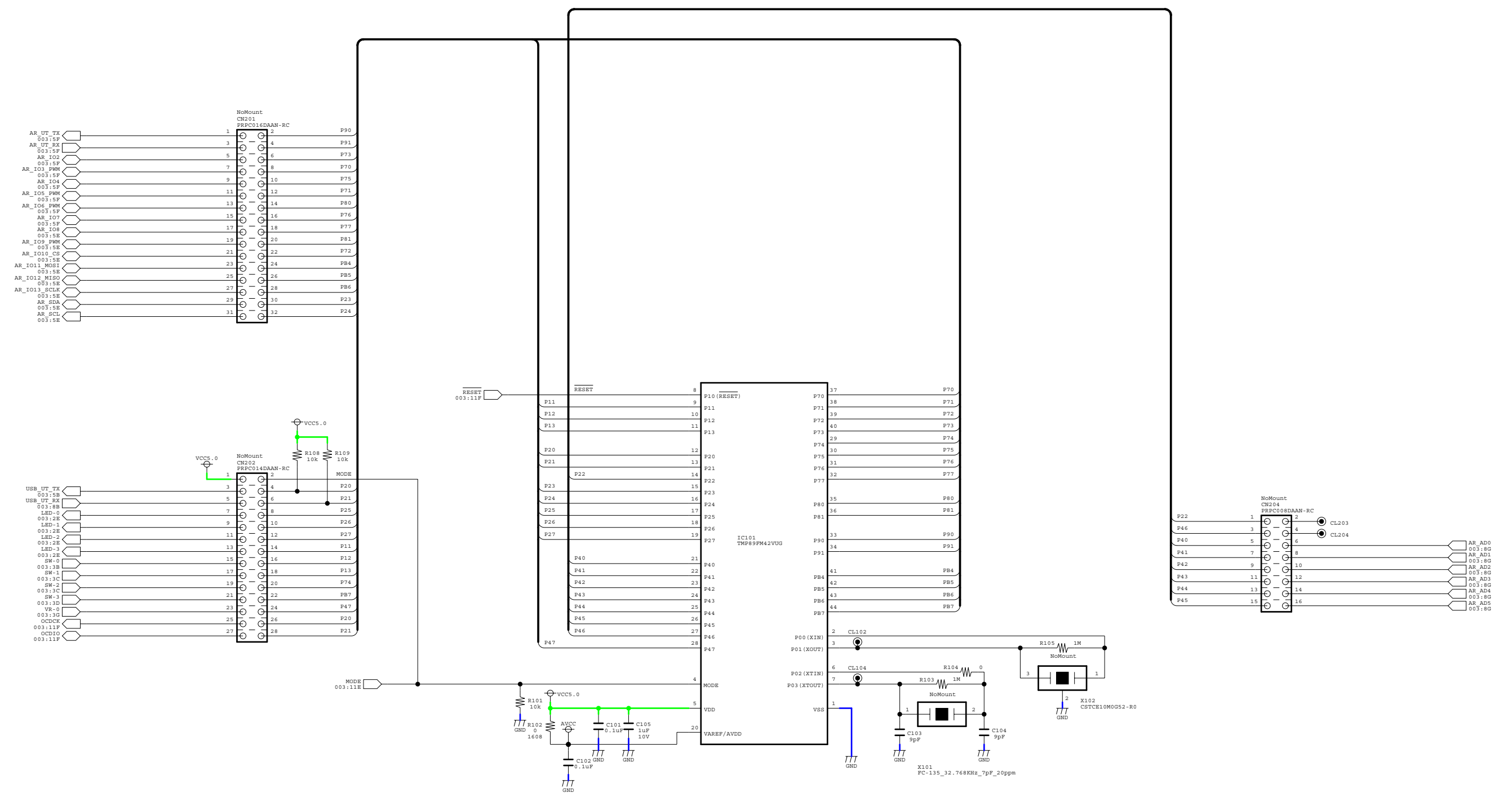
CN204

E22	1	2	CL203
P46	3	4	CL204
P40	5	6	AR_AD0
P41	7	8	AR_AD1
P42	9	10	AR_AD2
P43	11	12	AR_AD3
P44	13	14	AR_AD4
P45	15	16	AR_AD5

	0	1	2	3	4	5	6	7
P00	10M CERAMIC	10M CERAMIC	32K X'TAL	32K X'TAL	-	-	-	-
P10	RESET	LED-3	SW-0	SW-1	-	-	-	-
P20	OCDCK	OCDIO	-	AR_SDA	AR_SCL	LED-0	LED-1	LED-2
	USB_UT_TX	USB_UT_RX	-	-	-	-	-	-
P40	AR_AD0	AR_AD1	AR_AD2	AR_AD3	AR_AD4	AR_AD5	-	VR-0
P70	AR_IO3_PWM	AR_IO5_PWM	AR_IO10_CS	AR_IO2	SW-2	AR_IO4	AR_IO7	AR_IO8
P80	AR_IO6_PWM	AR_IO9_PWM	-	-	-	-	-	-
P90	AR_UT_TX	AR_UT_RX	-	-	-	-	-	-
PB0	-	-	-	-	AR_IO11_MOSI	AR_IO12_MISO	AR_IO13_SCLK	SW-3

						Project
						Board Name
						TMP89FM42_rev03.cir
Rev	Date	作成	確認	承認	変更内容	
	19/02/14 12:00:50 yamada					
					Page Page 1 of 3	

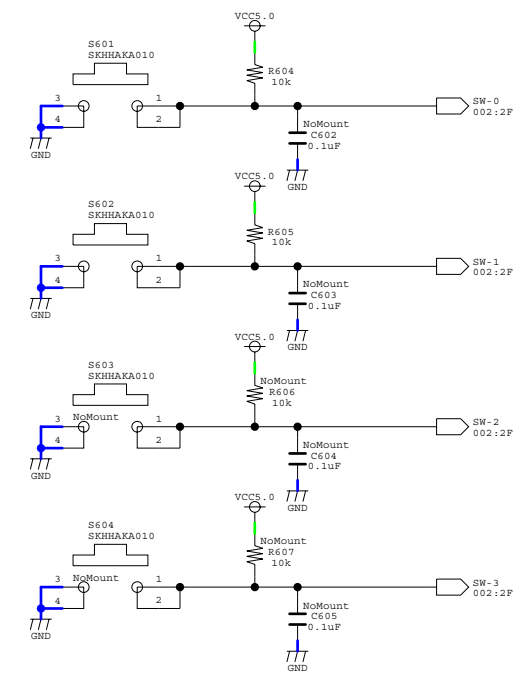
02. MCU TMP89FM42 / PIN HEADER



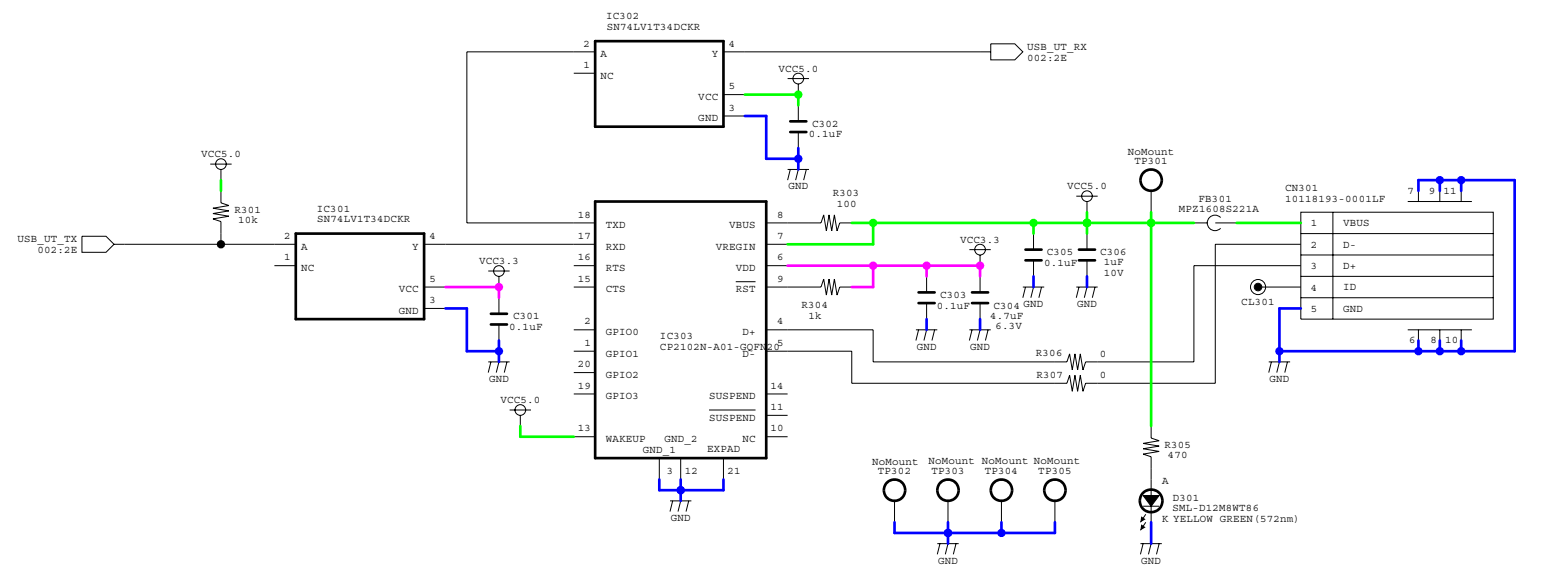
						Project
						Board Name
						TMP89FM42_rev03.cir
Rev	Date	作成	確認	承認	変更内容	
	19/02/14 12:00:50 yamada					Page Page 2 of 3

03. USER IO

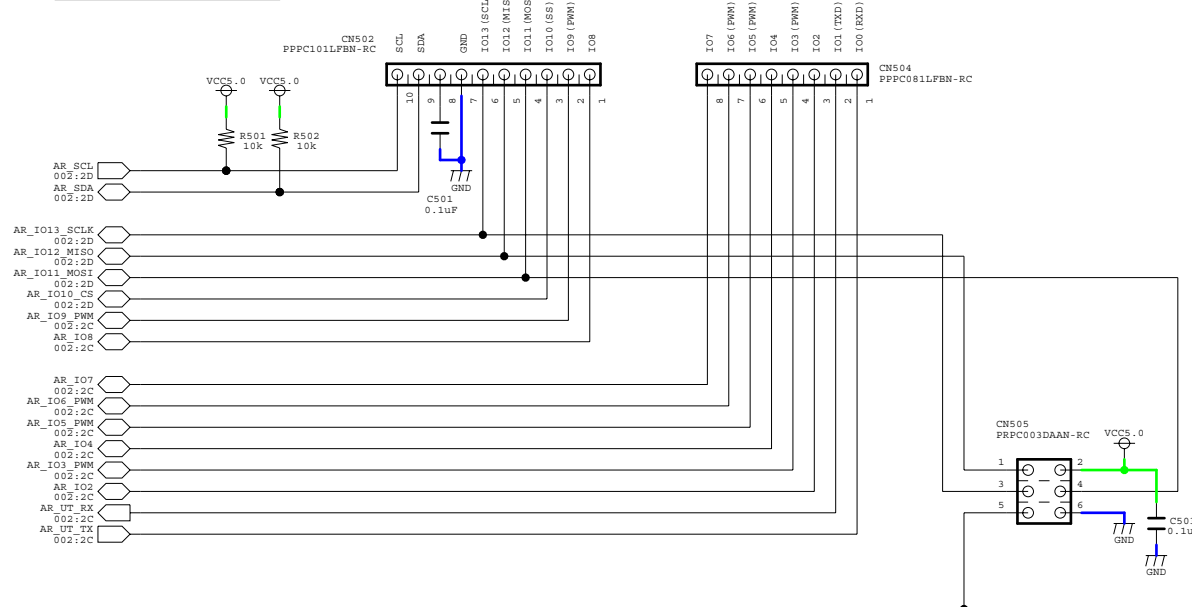
PushSW



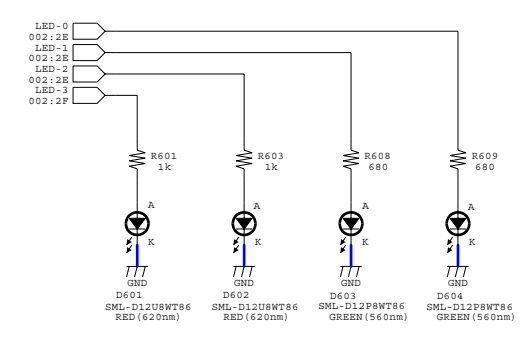
USB-UART (Power)



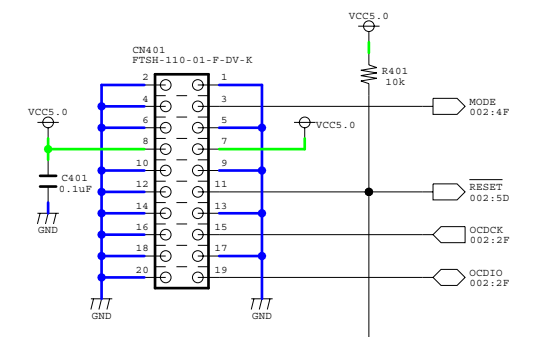
ARDUINO CN



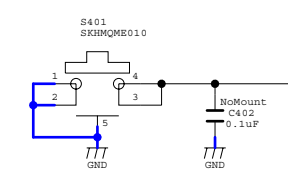
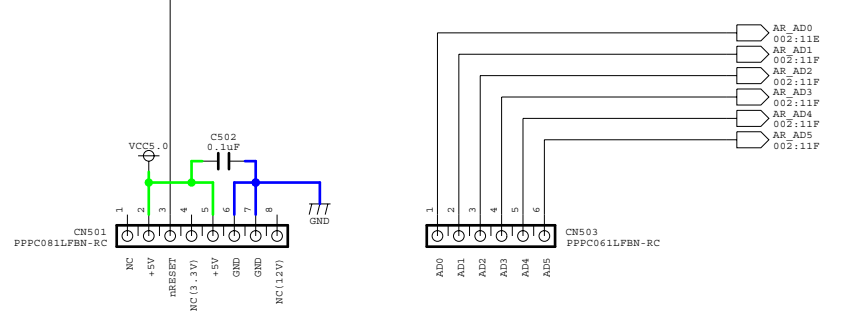
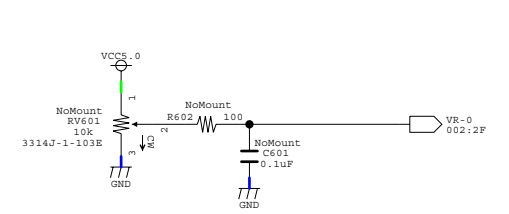
PORT LED



DEBUG CN



AIN



					Project	
					Board Name	
					TMP89FM42_rev03.cir	
Rev	Date	作成	確認	承認	変更内容	
	19/02/14 12:00:50	yamada				
						Page Page 3 of 3